



CERTIFICATION OF TAX DEED APPLICATION

Sections 197.502 and 197.542, Florida Statutes

DR-513
Rule 12D-16.002 F.A.C
Effective 07/19
Page 1 of 2

0512.10

Part 1: Tax Deed Application Information

Applicant Name Applicant Address	KEYS TAX FUNDING LLC - 19 US BANK % KEYS TAX FUNDING LLC PO BOX 645040 CINCINNATI, OH 45264-5040	Application date	Apr 22, 2021
Property description	SCOTT DALTON ALAN BOYD SCOTT VAN ALAN 3 NORWOOD DR PENSACOLA, FL 32506 3 NORWOOD DR 07-1794-000 LT 5 BLK 7 1ST ADDN TO PEN HAVEN PB 3 P 14 OR 7934 P 1144 CA 173	Certificate #	2019 / 3491
		Date certificate issued	06/01/2019

Part 2: Certificates Owned by Applicant and Filed with Tax Deed Application

Column 1 Certificate Number	Column 2 Date of Certificate Sale	Column 3 Face Amount of Certificate	Column 4 Interest	Column 5: Total (Column 3 + Column 4)
# 2019/3491	06/01/2019	1,163.87	58.19	1,222.06
→Part 2: Total*				1,222.06

Part 3: Other Certificates Redeemed by Applicant (Other than County)

Column 1 Certificate Number	Column 2 Date of Other Certificate Sale	Column 3 Face Amount of Other Certificate	Column 4 Tax Collector's Fee	Column 5 Interest	Total (Column 3 + Column 4 + Column 5)
# 2020/3799	06/01/2020	1,207.27	6.25	60.36	1,273.88
Part 3: Total*					1,273.88

Part 4: Tax Collector Certified Amounts (Lines 1-7)

1. Cost of all certificates in applicant's possession and other certificates redeemed by applicant (*Total of Parts 2 + 3 above)	2,495.94
2. Delinquent taxes paid by the applicant	0.00
3. Current taxes paid by the applicant	1,158.96
4. Property information report fee	200.00
5. Tax deed application fee	175.00
6. Interest accrued by tax collector under s.197.542, F.S. (see Tax Collector Instructions, page 2)	0.00
7. Total Paid (Lines 1-6)	4,029.90

I certify the above information is true and the tax certificates, interest, property information report fee, and tax collector's fees have been paid, and that the property information statement is attached.

Sign here: *Shirley Rich, CFCA*
Signature, Tax Collector or Designee

Escambia, Florida
Date May 5th, 2021

Send this certification to the Clerk of Court by 10 days after the date signed. See Instructions on Page 2

Part 5: Clerk of Court Certified Amounts (Lines 8-14)	
8. Processing tax deed fee	
9. Certified or registered mail charge	
10. Clerk of Court advertising, notice for newspaper, and electronic auction fees	
11. Recording fee for certificate of notice	
12. Sheriff's fees	
13. Interest (see Clerk of Court Instructions, page 2)	
14. Total Paid (Lines 8-13)	
15. Plus one-half of the assessed value of homestead property, if applicable under s. 197.502(6)(c), F.S.	
16. Statutory opening bid (total of Lines 7, 14, 15, and 16 if applicable)	
Sign here: _____ Date of sale <u>05/02/2022</u> Signature, Clerk of Court or Designee	

INSTRUCTIONS

PLUS \$6.25

Tax Collector (complete Parts 1-4)

Part 2: Certificates Owned by Applicant and Filed with Tax Deed Application

Enter the Face Amount of Certificate in Column 3 and the Interest in Column 4 for each certificate number. Add Columns 3 and 4 and enter the amount in Column 5.

Part 3: Other Certificates Redeemed by Applicant (Other than County)

Total. Add the amounts in Columns 3, 4 and 5

Part 4: Tax Collector Certified Amounts (Lines 1-7)

Line 1, enter the total of Part 2 plus the total of Part 3 above.

Total Paid, Line 7: Add the amounts of Lines 1-6

Line 6, Interest accrued by tax collector. Calculate the 1.5 percent interest accrued from the month after the date of application through the month this form is certified to the clerk. Enter the amount to be certified to the clerk on Line 6. The interest calculated by the tax collector stops before the interest calculated by the clerk begins. See Section 197.542, F.S., and Rule 12D-13.060(3), Florida Administrative Code.

The tax collector's interest for redemption at the time of the tax deed application is a cost of redemption, which encompasses various percentages of interest on certificates and omitted or delinquent taxes under Section 197.502, F.S. This interest is calculated before the tax collector calculates the interest in Section 197.542, F.S.

Attach certified statement of names and addresses of persons who must be notified before the sale of the property. Send this form and any required attachments to the Clerk of Court within 10 days after it is signed.

Clerk of Court (complete Part 5)

Line 13: Interest is calculated at the rate of 1.5 percent per month starting from the first day of the month after the month of certification of this form through the last day of the month in which the sale will be held. Multiply the calculated rate by the total of Line 7, minus Line 6, plus Lines 8 through 12. Enter the amount on Line 13.

Line 14: Enter the total of Lines 8-13. Complete Lines 15-18, if applicable.

APPLICATION FOR TAX DEED

Section 197.502, Florida Statutes

512
R. 12/16

Application Number: 2100371

To: Tax Collector of ESCAMBIA COUNTY, Florida

I,

KEYS TAX FUNDING LLC - 19 US BANK % KEYS TAX FUNDING LLC
PO BOX 645040
CINCINNATI, OH 45264-5040,

hold the listed tax certificate and hereby surrender the same to the Tax Collector and make tax deed application thereon:

Account Number	Certificate No.	Date	Legal Description
07-1794-000	2019/3491	06-01-2019	LT 5 BLK 7 1ST ADDN TO PEN HAVEN PB 3 P 14 OR 7934 P 1144 CA 173

I agree to:

- pay any current taxes, if due and
- redeem all outstanding tax certificates plus interest not in my possession, and
- pay all delinquent and omitted taxes, plus interest covering the property.
- pay all Tax Collector's fees, property information report costs, Clerk of the Court costs, charges and fees, and Sheriff's costs, if applicable.

Attached is the tax sale certificate on which this application is based and all other certificates of the same legal description which are in my possession.

Electronic signature on file
KEYS TAX FUNDING LLC - 19 US BANK % KEYS TAX
FUNDING LLC
PO BOX 645040
CINCINNATI, OH 45264-5040

04-22-2021
Application Date

Applicant's signature



Chris Jones Escambia County Property Appraiser

Real Estate Search

Tangible Property Search

Sale List

← Nav. Mode Account Parcel ID →

Printer Friendly Version

General Information Parcel ID: 342S301151005007 Account: 071794000 Owners: SCOTT DALTON ALAN BOYD SCOTT VAN ALAN Mail: 3 NORWOOD DR PENSACOLA, FL 32506 Situs: 3 NORWOOD DR 32506 Use Code: SINGLE FAMILY RESID Taxing Authority: COUNTY MSTU Tax Inquiry: Open Tax Inquiry Window Tax Inquiry link courtesy of Scott Lunsford Escambia County Tax Collector	Assessments <table border="1"> <thead> <tr> <th>Year</th> <th>Land</th> <th>Imprv</th> <th>Total</th> <th>Cap Val</th> </tr> </thead> <tbody> <tr> <td>2020</td> <td>\$7,000</td> <td>\$66,414</td> <td>\$73,414</td> <td>\$73,414</td> </tr> <tr> <td>2019</td> <td>\$7,000</td> <td>\$61,985</td> <td>\$68,985</td> <td>\$68,985</td> </tr> <tr> <td>2018</td> <td>\$7,000</td> <td>\$57,771</td> <td>\$64,771</td> <td>\$64,771</td> </tr> </tbody> </table> <p style="text-align: center;">Disclaimer</p> <p style="text-align: center;">Market Value Breakdown Letter</p> <p style="text-align: center;">Tax Estimator</p> <p style="text-align: center;">File for New Homestead Exemption Online</p> <p style="text-align: center;">Report Storm Damage</p>	Year	Land	Imprv	Total	Cap Val	2020	\$7,000	\$66,414	\$73,414	\$73,414	2019	\$7,000	\$61,985	\$68,985	\$68,985	2018	\$7,000	\$57,771	\$64,771	\$64,771
Year	Land	Imprv	Total	Cap Val																	
2020	\$7,000	\$66,414	\$73,414	\$73,414																	
2019	\$7,000	\$61,985	\$68,985	\$68,985																	
2018	\$7,000	\$57,771	\$64,771	\$64,771																	

Sales Data <table border="1"> <thead> <tr> <th>Sale Date</th> <th>Book</th> <th>Page</th> <th>Value</th> <th>Type</th> <th>Official Records (New Window)</th> </tr> </thead> <tbody> <tr> <td>07/18/2018</td> <td>7934</td> <td>1144</td> <td>\$100</td> <td>QC</td> <td></td> </tr> <tr> <td>07/17/2018</td> <td>7933</td> <td>1781</td> <td>\$100</td> <td>OT</td> <td></td> </tr> <tr> <td>05/21/2013</td> <td>7019</td> <td>335</td> <td>\$100</td> <td>QC</td> <td></td> </tr> <tr> <td>01/10/2013</td> <td>6959</td> <td>1153</td> <td>\$100</td> <td>QC</td> <td></td> </tr> <tr> <td>01/1969</td> <td>429</td> <td>750</td> <td>\$11,500</td> <td>WD</td> <td></td> </tr> </tbody> </table> Official Records Inquiry courtesy of Pam Childers Escambia County Clerk of the Circuit Court and Comptroller	Sale Date	Book	Page	Value	Type	Official Records (New Window)	07/18/2018	7934	1144	\$100	QC		07/17/2018	7933	1781	\$100	OT		05/21/2013	7019	335	\$100	QC		01/10/2013	6959	1153	\$100	QC		01/1969	429	750	\$11,500	WD		2020 Certified Roll Exemptions None
Sale Date	Book	Page	Value	Type	Official Records (New Window)																																
07/18/2018	7934	1144	\$100	QC																																	
07/17/2018	7933	1781	\$100	OT																																	
05/21/2013	7019	335	\$100	QC																																	
01/10/2013	6959	1153	\$100	QC																																	
01/1969	429	750	\$11,500	WD																																	
Legal Description LT 5 BLK 7 1ST ADDN TO PEN HAVEN PB 3 P 14 OR 7934 P 1144 CA 173																																					
Extra Features None																																					

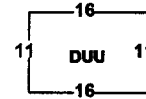
Parcel Information Section Map Id: CA173 Approx. Acreage: 0.2224 Zoned: MDR Evacuation & Flood Information Open Report	Launch Interactive Map
View Florida Department of Environmental Protection(DEP) Data	

Buildings

Address:3 NORWOOD DR, Year Built: 1953, Effective Year: 1970, PA Building ID#: 83444

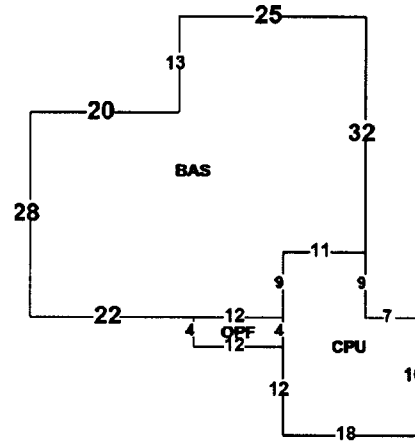
Structural Elements

- DECOR/MILLWORK-AVERAGE
- DWELLING UNITS-1
- EXTERIOR WALL-CONCRETE BLOCK
- FLOOR COVER-CARPET
- FOUNDATION-SLAB ON GRADE
- HEAT/AIR-CENTRAL H/AC
- INTERIOR WALL-DRYWALL-PLASTER
- NO. PLUMBING FIXTURES-3
- NO. STORIES-1
- ROOF COVER-COMPOSITION SHG
- ROOF FRAMING-GABLE
- STORY HEIGHT-0
- STRUCTURAL FRAME-MASONRY PIL/STL



Areas - 2097 Total SF

- BASE AREA - 1486
- CARPORT UNF - 387
- DET UTILITY UNF - 176
- OPEN PORCH FIN - 48



Images



6/19/18

The primary use of the assessment data is for the preparation of the current year tax roll. No responsibility or liability is assumed for inaccuracies or errors.

Pam Childers
CLERK OF THE CIRCUIT COURT
ESCAMBIA COUNTY FLORIDA
INST# 2021057275 5/25/2021 10:52 AM
OFF REC BK: 8537 PG: 1197 Doc Type: TDN

NOTICE OF APPLICATION FOR TAX DEED

NOTICE IS HEREBY GIVEN, That **KEYS TAX FUNDING LLC – 19 US BANK** holder of **Tax Certificate No. 03491**, issued the **1st day of June, A.D., 2019** has filed same in my office and has made application for a tax deed to be issued thereon. Said certificate embraces the following described property in the County of Escambia, State of Florida, to wit:

LT 5 BLK 7 1ST ADDN TO PEN HAVEN PB 3 P 14 OR 7934 P 1144 CA 173

SECTION 34, TOWNSHIP 2 S, RANGE 30 W

TAX ACCOUNT NUMBER 071794000 (0522-20)

The assessment of the said property under the said certificate issued was in the name of

DALTON ALAN BOYD SCOTT and VAN ALAN SCOTT

Unless said certificate shall be redeemed according to law, the property described therein will be sold to the highest bidder at public auction at 9:00 A.M. on the **first Monday** in the month of **May**, which is the **2nd day of May 2022**.

Dated this 25th day of May 2021.

In accordance with the AMERICANS WITH DISABILITIES ACT, if you are a person with a disability who needs special accommodation in order to participate in this proceeding you are entitled to the provision of certain assistance. Please contact Emily Hogg not later than seven days prior to the proceeding at Escambia County Government Complex, 221 Palafox Place Ste 110, Pensacola FL 32502. Telephone: 850-595-3793.



PAM CHILDERS
CLERK OF THE CIRCUIT COURT
ESCAMBIA COUNTY, FLORIDA

By:
Emily Hogg
Deputy Clerk

PAM CHILDERS
 CLERK OF THE CIRCUIT COURT
 ARCHIVES AND RECORDS
 CHILDSUPPORT
 CIRCUIT CIVIL
 CIRCUIT CRIMINAL
 COUNTY CIVIL
 COUNTY CRIMINAL
 DOMESTIC RELATIONS
 FAMILY LAW
 JURY ASSEMBLY
 JUVENILE
 MENTAL HEALTH
 MIS
 OPERATIONAL SERVICES
 PROBATE
 TRAFFIC



**COUNTY OF ESCAMBIA
 OFFICE OF THE
 CLERK OF THE CIRCUIT COURT**

**BRANCH OFFICES
 ARCHIVES AND RECORDS
 JUVENILE DIVISION
 CENTURY**

CLERK TO THE BOARD OF
 COUNTY COMMISSIONERS
 OFFICIAL RECORDS
 COUNTY TREASURY
 AUDITOR

**PAM CHILDERS, CLERK OF THE CIRCUIT COURT
 Tax Certificate Redeemed From Sale
 Account: 071794000 Certificate Number: 003491 of 2019**

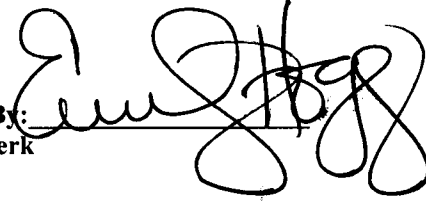
Payor: PATRICIA SCOTT 3 NORWOOD DR PENSACOLA, FL 32506 Date 07/22/2021

Clerk's Check #	1	Clerk's Total	\$558.07
Tax Collector Check #	1	Tax Collector's Total	\$4,821.98
		Postage	\$60.00
		Researcher Copies	\$0.00
		Recording	\$10.00
		Prep Fee	\$7.00
		Total Received	\$5,457.05

4385.52

\$4402.52

**PAM CHILDERS
 Clerk of the Circuit Court**

Received By: 
 Deputy Clerk

PAM CHILDERS
 CLERK OF THE CIRCUIT COURT
 ARCHIVES AND RECORDS
 CHILDSUPPORT
 CIRCUIT CIVIL
 CIRCUIT CRIMINAL
 COUNTY CIVIL
 COUNTY CRIMINAL
 DOMESTIC RELATIONS
 FAMILY LAW
 JURY ASSEMBLY
 JUVENILE
 MENTAL HEALTH
 MIS
 OPERATIONAL SERVICES
 PROBATE
 TRAFFIC



**COUNTY OF ESCAMBIA
 OFFICE OF THE
 CLERK OF THE CIRCUIT COURT**

**BRANCH OFFICES
 ARCHIVES AND RECORDS
 JUVENILE DIVISION
 CENTURY**

CLERK TO THE BOARD OF
 COUNTY COMMISSIONERS
 OFFICIAL RECORDS
 COUNTY TREASURY
 AUDITOR

**Case # 2019 TD 003491
 Redeemed Date 07/22/2021**

Name PATRICIA SCOTT 3 NORWOOD DR PENSACOLA, FL 32506

Clerk's Total = TAXDEED	\$558.07	4385.52
Due Tax Collector = TAXDEED	\$4,821.98	
Postage = TD2	\$60.00	
ResearcherCopies = TD6	\$0.00	
Release TDA Notice (Recording) = RECORD2	\$10.00	
Release TDA Notice (Prep Fee) = TD4	\$7.00	

• For Office Use Only

Date	Docket	Desc	Amount Owed	Amount Due	Payee Name
------	--------	------	-------------	------------	------------

FINANCIAL SUMMARY

No Information Available - See Dockets



PAM CHILDERS
CLERK OF THE CIRCUIT COURT
ESCAMBIA COUNTY, FLORIDA

Tax Deed - Redemption Calculator

Account: 071794000 Certificate Number: 003491 of 2019

Redemption Yes No
 Application Date
 Interest Rate

	Final Redemption Payment ESTIMATED	Redemption Overpayment ACTUAL
	Auction Date <input type="text" value="05/02/2022"/>	Redemption Date <input type="text" value="07/22/2021"/>
Months	13	3
Tax Collector	<input type="text" value="\$4,029.90"/>	<input type="text" value="\$4,029.90"/>
Tax Collector Interest	\$785.83	\$181.35
Tax Collector Fee	<input type="text" value="\$6.25"/>	<input type="text" value="\$6.25"/>
Total Tax Collector	\$4,821.98	\$4,217.50 TC
Record TDA Notice	<input type="text" value="\$17.00"/>	<input type="text" value="\$17.00"/>
Clerk Fee	<input type="text" value="\$130.00"/>	<input type="text" value="\$130.00"/>
Sheriff Fee	<input type="text" value="\$120.00"/>	<input type="text" value="\$120.00"/>
Legal Advertisement	<input type="text" value="\$200.00"/>	<input type="text" value="\$200.00"/>
App. Fee Interest	\$91.07	\$21.02
Total Clerk	\$558.07	\$488.02 CH
Release TDA Notice (Recording)	<input type="text" value="\$10.00"/>	<input type="text" value="\$10.00"/>
Release TDA Notice (Prep Fee)	<input type="text" value="\$7.00"/>	<input type="text" value="\$7.00"/>
Postage	<input type="text" value="\$60.00"/>	<input type="text" value="\$0.00"/>
Researcher Copies	<input type="text" value="\$0.00"/>	<input type="text" value="\$0.00"/>
Total Redemption Amount	\$5,457.05	\$4,722.52
	Repayment Overpayment Refund Amount	\$734.53
Book/Page	<input type="text" value="8537"/>	<input type="text" value="1197"/>

RELEASE OF NOTICE OF APPLICATION FOR TAX DEED

Pursuant to § 197.502(5)(c), Florida Statutes, the Escambia County Clerk of Court fully releases the Notice of Tax Deed Application recorded at Official Records Book 8537, Page 1197, of Escambia County, for the tax certificate, tax deed, and property described below:

Tax Certificate No. Certificate No. 03491, issued the 1st day of June, A.D., 2019

TAX ACCOUNT NUMBER: 071794000 (0522-20)

DESCRIPTION OF PROPERTY:

LT 5 BLK 7 1ST ADDN TO PEN HAVEN PB 3 P 14 OR 7934 P 1144 CA 173

SECTION 34, TOWNSHIP 2 S, RANGE 30 W

NAME IN WHICH ASSESSED: DALTON ALAN BOYD SCOTT and VAN ALAN SCOTT

Dated this 22nd day of July 2021.



PAM CHILDERS
CLERK OF THE CIRCUIT COURT
ESCAMBIA COUNTY, FLORIDA

By:
Emily Hogg
Deputy Clerk



PROPERTY INFORMATION REPORT
3050 Concho Drive, Pensacola, Florida 32507 | Phone: 850-466-3077

THE ATTACHED REPORT IS ISSUED TO:

SCOTT LUNSFORD, ESCAMBIA COUNTY TAX COLLECTOR

TAX ACCOUNT #: 07-1794-000 CERTIFICATE #: 2019-3491

THIS REPORT IS NOT TITLE INSURANCE. THE LIABILITY FOR ERRORS OR OMISSIONS IN THIS REPORT IS LIMITED TO THE PERSON(S) EXPRESSLY IDENTIFIED BY NAME IN THE PROPERTY INFORMATION REPORT AS THE RECIPIENT(S) OF THE PROPERTY INFORMATION REPORT.

The attached Report prepared in accordance with the instructions given by the user named above includes a listing of the owner(s) of record of the land described herein together with current and delinquent ad valorem tax information and a listing and copies of all open or unsatisfied leases, mortgages, judgments and encumbrances recorded in the Official Record Books of Escambia County, Florida that appear to encumber the title to said land as listed on page 2 herein. It is the responsibility of the party named above to verify receipt of each document listed. If a copy of any document listed is not received, the office issuing this Report must be contacted immediately.

This Report is subject to: Current year taxes; taxes and assessments due now or in subsequent years; oil, gas, and mineral or any subsurface rights of any kind or nature; easements, restrictions and covenants of record; encroachments, overlaps, boundary line disputes, and any other matters that would be disclosed by an accurate survey and inspection of the premises.

This Report does not insure or guarantee the validity or sufficiency of any document attached, nor is it to be considered a title insurance policy, an opinion of title, a guarantee of title, or as any other form of guarantee or warranty of title.

Use of the term "Report" herein refers to the Property Information Report and the documents attached hereto.

Period Searched: February 8, 2002 to and including February 8, 2022 Abstractor: Cody Campbell

BY

Michael A. Campbell,
As President
Dated: February 24, 2022

PROPERTY INFORMATION REPORT
CONTINUATION PAGE

February 24, 2022

Tax Account #: **07-1794-000**

1. The Grantee(s) of the last deed(s) of record is/are: **VAN ALAN SCOTT AND DALTON ALAN BOYD SCOTT, AS JOINT TENANTS WITH RIGHTS OF SURVIVORSHIP**

By Virtue of Quit Claim Deed recorded 7/18/2018 in OR 7934/1144

2. The land covered by this Report is: **See Attached Exhibit "A"**
3. The following unsatisfied mortgages, liens, and judgments affecting the land covered by this Report appear of record:
 - a. **Lien in favor of the State of FL/Escambia County recorded 4/24/2019 – OR 8083/761**
 - b. **Judgment in favor of Portfolio Recovery Associates, LLC recorded 9/1/2006 – OR 5984/455, together with Order recorded 9/6/2007 – OR 6213/1010**

4. Taxes:

Taxes for the year(s) NONE are delinquent.

Tax Account #: 07-1794-000

Assessed Value: \$73,414

Exemptions: NONE

5. We find the following HOA names in our search (if a condominium, the condo docs book and page are included for your review): **NONE**

Payment of any special liens/assessments imposed by City, County, and/or State.

Note: Escambia County and/or local municipalities may impose special liens/assessments. These liens/assessments are not discovered in a title search or shown above. These special assessments typically create a lien on real property. The entity that governs subject property must be contacted to verify payment status.

PERDIDO TITLE & ABSTRACT, INC.
PROPERTY INFORMATION REPORT
3050 Concho Drive, Pensacola, Florida 32507 | Phone 850-466-3077

Scott Lunsford
Escambia County Tax Collector
P.O. Box 1312
Pensacola, FL 32591

CERTIFICATION: TITLE SEARCH FOR TDA

TAX DEED SALE DATE: _____ **MAY 2, 2022**
TAX ACCOUNT #: _____ **07-1794-000**
CERTIFICATE #: _____ **2019-3491**

In compliance with Section 197.522, Florida Statutes, the following is a list of names and addresses of those persons, firms, and/or agencies having legal interest in or claim against the above-described property. The above-referenced tax sale certificate is being submitted as proper notification of tax deed sale.

- | YES | NO | |
|-------------------------------------|-------------------------------------|--|
| <input type="checkbox"/> | <input checked="" type="checkbox"/> | Notify City of Pensacola, P.O. Box 12910, 32521 |
| <input checked="" type="checkbox"/> | <input type="checkbox"/> | Notify Escambia County, 190 Governmental Center, 32502 |
| <input type="checkbox"/> | <input checked="" type="checkbox"/> | Homestead for <u>2020</u> tax year. |

VAN ALAN SCOTT AKA VAN A. SCOTT
AND DALTON ALAN BOYD SCOTT AKA DALTON ALLEN BOYD SCOTT
3 NORWOOD DR
PENSACOLA, FL 32506

VAN A. SCOTT
3117 FAYAL DR
PENSACOLA, FL 32526

PORTFOLIO RECOVERY ASSOCIATES, LLC
140 CORPORATE BLVD, SUITE #100
NORFOLK, VA 23502

Certified and delivered to Escambia County Tax Collector, this 24th day of February, 2022.

PERDIDO TITLE & ABSTRACT, INC.



BY: Michael A. Campbell, As It's President

NOTE: The above listed addresses are based upon current information available, but addresses are not guaranteed to be true or correct.

PROPERTY INFORMATION REPORT

February 24, 2022

Tax Account #:07-1794-000

**LEGAL DESCRIPTION
EXHIBIT "A"**

LT 5 BLK 7 1ST ADDN TO PEN HAVEN PB 3 P 14 OR 7934 P 1144 CA 173

SECTION 34, TOWNSHIP 2 S, RANGE 30 W

TAX ACCOUNT NUMBER 07-1794-000(0522-20)

Recorded in Public Records 7/18/2018 8:08 AM OR Book 7934 Page 1144,
Instrument #2018056155, Pam Childers Clerk of the Circuit Court Escambia
County, FL Recording \$18.50 Deed Stamps \$0.70

Prepared By

Name: Kembrlee Scott Potter
Address: 612 S 1st Street, Unit 34
City: Pensacola
State: Florida Zip Code: 32506

After Recording Return To

Name: Van Alan Scott
Address: 3 Norwood Drive
City: Pensacola
State: Florida Zip Code: 32506

Space Above This Line for Recorder's Use

FLORIDA QUIT CLAIM DEED

STATE OF FLORIDA

ESCAMBIA COUNTY

KNOW ALL MEN BY THESE PRESENTS, That for and in consideration of the sum of One Hundred Dollars (\$100.00) in hand paid to Kembrlee Scott Potter, a married woman, residing at 612 S 1st Street, Unit 34, County of Escambia, City of Pensacola, State of Florida (hereinafter known as the "Grantor(s)") hereby quitclaims to Van Alan Scott, a married man, and Dalton Alan Boyd Scott, an unmarried man, (*as joint tenants with rights of survivorship*) residing at 3 Norwood Drive, County of Escambia, City of Pensacola, State of Florida (hereinafter known as the "Grantee(s)") all the rights, title, interest, and claim in or to the following described real estate, situated in Escambia County, Florida to-wit:

Property Tax Parcel/Account Number: **34-2S-30-1151-005-007**

Lot 5, Block 7, first addition to Pen Haven, a subdivision according to plat recorded in Plat Book 3, at Page 14, of the Public Records of Escambia County, Florida.

To have and to hold, the same together with all and singular the appurtenances thereunto belonging or in anywise appertaining, and all the estate, right, title, interest, lien, equity and claim whatsoever for the said first party, either in law or equity, to the only proper use, benefit and behoof of the said second party forever.

BK: 7934 PG: 1145 Last Page

Kembrlee Scott Potter
Grantor's Signature

Kembrlee Scott Potter
Grantor's Name

612 S. 1st Street, Unit 34
Address

Pensacola, FL 32507
City, State & Zip

Grantor's Signature

Grantor's Name

Address

City, State & Zip

In Witness Whereof,

Whitney Coppage
Witness's Signature

Whitney Coppage
Witness's Name

221 Palatka Place Suite 110
Address

Pensacola, FL 32502
City, State & Zip

Ashley Walker
Witness's Signature

Ashley Walker
Witness's Name

221 Palatka Place Suite 110
Address

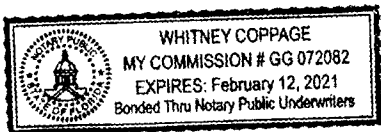
Pensacola FL 32502
City, State & Zip

STATE OF FLORIDA)

COUNTY OF Escambia)

I, the undersigned, a Notary Public in and for said County, in said State, hereby certify that Kembrlee Scott Potter whose names are signed to the foregoing instrument, and who is known to me, acknowledged before me on this day that, being informed of the contents of the instrument, they, executed the same voluntarily on the day the same bears date.

Given under my hand this 18th day of July, 2018.



Whitney Coppage
Notary Public

My Commission Expires: 02-12-2021

Filing # 88177418 E-Filed 04/18/2019 11:09:45 AM

IN THE CIRCUIT COURT IN AND FOR ESCAMBIA COUNTY, FLORIDA

STATE OF FLORIDA,

Plaintiff,

vs.

CASE NO: 2018 CF 006718 A

DIVISION: A

Dalton Allen Boyd Scott
3 Norwood Drive
Pensacola, FL 32506

Defendant.

CIVIL LIEN

THIS CAUSE came before the Court for assessment of Electronic Monitoring Fees. Upon the evidence presented, the Court assessed a \$785.00 Electronic Monitoring Fee. Total of **\$785.00** is due to **Department of Community Corrections**. Accordingly, pursuant to the provisions of §938.30, Florida Statutes, it is,

ORDERED AND ADJUDGED that the above-named Defendant shall pay arrears to the **Department of Community Corrections**, in the amount of \$785.00 which shall accrue interest at the rate of **6.33%** per annum.

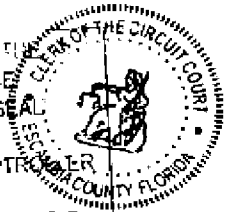
ORDERED FURTHER that nothing in this Civil Lien will bar any subsequent civil remedy or recovery, but the amount paid under this order shall be a set-off against any subsequent independent civil recovery. Any default in payment of the amount due hereunder may be collected by any means authorized by law for the enforcement of a civil judgment, for which let execution issue.

DONE AND ORDERED in Chambers, at Pensacola, Escambia County, Florida.

cc: **Community Corrections Accounting Defendant**


eSigned by CIRCUIT COURT JUDGE STEPHEN PAIRE in 2018 CF 006718 A on 04/18/2019 10:08:57 Zscppury

CERTIFIED TO BE A TRUE COPY OF THE ORIGINAL ON FILE IN THIS OFFICE. WITNESS MY HAND AND OFFICIAL SEAL. PAM CHILDERS, CLERK OF THE CIRCUIT COURT & COMPTROLLER ESCAMBIA COUNTY, FLORIDA. BY: *Kim Pugh* DATE: *4-24-2019*





CERTIFIED TO BE A TRUE COPY
OF THE ORIGINAL ON FILE IN THIS
WITNESS MY HAND AND OFFICIAL
ERNIE LEE MAGAHA, CLERK
CIRCUIT COURT AND COUNTY COURT
ESCAMBIA COUNTY FLORIDA

BY Cynthia Jean D.C.
DATE 8-31-2006

IN THE COUNTY COURT IN AND
FOR ESCAMBIA COUNTY, FLORIDA

CASE NO: 2006-CC-1686

PORTFOLIO RECOVERY
ASSOCIATES, LLC

Plaintiff

**FINAL JUDGMENT EXECUTION
WITHHELD**

vs.

VAN A SCOTT

Defendant(s)

Ernie Lee Magaha
CLERK OF THE CIRCUIT COURT
ESCAMBIA COUNTY FLORIDA
INSTR# 2006089173 08/12/2006 at 01:02 PM
OFF REC BK: 5628 PG: 479-479 Doc Type: FJ

IT IS HEREBY Ordered and Adjudged as follows:

1. Plaintiff is entitled to a Final Judgment Execution Withheld against the Defendant(s).
2. Payment(s) of more than the amount of the installment due or down payment shall not relieve the Defendant(s) of its obligations to make the next monthly payment on the date agreed to. In the event that Defendant(s) fail to make any payment when due the Plaintiff shall be entitled to an execution order for the full amount then owing plus costs, interest and reasonable attorneys' fees to be determined by the Court.
3. It is agreed that Plaintiff, whose address is 140 Corporate Blvd, Suite #100, Norfolk, VA 23502, shall recover from the Defendant(s) the principal sum of \$9,135.30, court costs in the amount of \$275.00, pre-judgment interest in the amount of \$6,914.76, attorney's fees in the amount of \$400.00, and post judgment interest at the rate of 24.980% per annum, to be paid as follows: the sum of \$150.00, due on or before 05/02/06, and the sum of \$150.00, which shall be due on or before the 2nd day of each month thereafter until paid in full.
4. That in the event of default, Plaintiff shall be entitled to an execution order upon the filing of a verified notice of default by counsel for Plaintiff without notice or hearing.

DONE AND ORDERED at Pensacola, Escambia County, Florida on this the 7th day of

[Signature] 2006

[Signature]
COUNTY COURT JUDGE

Copies furnished to:
HAYT, HAYT & LANDAU
7765 SW 87 Ave, Suite 101
Miami, FL 33173

VAN A SCOTT
3117 Fayal Dr
Pensacola Florida 32526
05-04465-0 4264291999311507

Case: 2006 CC 001686
00062685271
Dkt: CC1033 Pg#:

IN THE COUNTY COURT IN AND
FOR ESCAMBIA COUNTY, FLORIDA
CASE NO: 2006-CC-1686

PORTFOLIO RECOVERY
ASSOCIATES, LLC

Plaintiff,

ORDER FOR EXECUTION

vs.

VAN A SCOTT

Defendant(s).

THIS CAUSE having come on to be heard before me upon the Plaintiff's Verified Notice of Default and Demand for Execution Order, and it appearing that the Defendant(s) has/have failed to abide by the Final Judgment Execution Withheld heretofore entered by this Court on June 7, 2006 and the Court, being otherwise fully advised in the premises, it is, upon consideration,

ORDERED AND ADJUDGED that:

Execution is hereby issued for the Judgment entered on June 7, 2006. There remains due and owing a principal balance on said stipulation of \$9,135.30, attorney's fees in the amount of \$400.00, and interest in the amount of \$10,502.63. In addition, to the Judgment amount, Plaintiff is entitled to attorneys fees in the sum of \$ 750, that shall accrue interest at the rate of 24.980%, for all of the above let execution issue.

IT IS FURTHER ORDERED AND ADJUDGED THAT:

The Defendant(s) shall complete under oath the attached Fact Information Sheet (Florida Rules of Civil Procedure Form 1.977) including all required attachments, and return it to the Plaintiff's attorney, within 45 days from the date of this Order, unless the Order is satisfied or a post judgment discovery is stayed.

Jurisdiction of this case is retained to enter further orders that are proper to compel the Defendant(s) to complete the Fact Information Sheet and return it to the Plaintiff's attorney.

DONE AND ORDERED at Pensacola, Escambia County, Florida on this the

27 day of August, 2007.


COUNTY COURT JUDGE

Copies furnished to:
HAYT, HAYT & LANDAU
Attorneys for Plaintiff
7765 SW 87 Ave, Suite 101
Miami, Florida 33173

VAN A SCOTT
3117 Foyal Dr
Pensacola Florida 32526
05-04465-0

CLERK OF CIRCUIT COURT
ESCAMBIA COUNTY, FL
2007 AUG 27 A 9 18
COUNTY CIVIL DIVISION
FILED & RECORDED

Case: 2006 CC 001686
00085673544
Dkt: CC1071 Pg#: 3

**FORM 1.977
FACT INFORMATION SHEET**

Full Legal Name: _____

Nicknames or Aliases: _____

Residence Address: _____

Mailing Address (if different): _____

Telephone Numbers (Home) _____ (Business) _____

Name of Employer: _____

Address of Employer: _____

Position or Job Description: _____

Rate of Pay: \$ _____ per _____ Average Paycheck: \$ _____ per _____

Average Commissions or Bonuses \$ _____ per _____ Commissions or Bonuses are based on _____

Other Personal Income: \$ _____ from _____

(Explain details on the back of this sheet or an additional sheet if necessary.)

Social Security Number: _____ Birth date: _____

Driver's License Number: _____

Marital Status: _____ Spouse's Name: _____

Spouse's Address (if different): _____

Spouse's Social Security Number: _____ Birth date: _____

Spouse's Employer: _____

Spouses's Average Paycheck or Income: \$ _____ per _____

Other Family Income: \$ _____ from _____

(Explain details on the back of this sheet or an additional sheet if necessary.)

Names and Ages of All of Children (and addresses if not living with you): _____

Child Support or Alimony Paid \$ _____ per _____

Names of Others You Live With: _____

Who is Head of Your Household? _____ You _____ Spouse _____ Other Person

Checking Account at: _____ Account # _____

Savings Account at: _____ Account # _____

(Describe all other accounts or investments you may have, including stocks, mutual funds savings bonds, or annuities, on the back of this sheet or an additional sheet if necessary.)

For Real Estate (land) You Own or Are Buying:

Address: _____

All Names on Title: _____

Mortgage Owed to: _____

Balance Owed: _____

Monthly Payment: _____

(Attach a copy of the deed or mortgage, or list the legal description of the property on the back of this sheet or an additional sheet if necessary. Also provide the same information on any other property you own or are buying.)

For All Motor Vehicles You Own or Are Buying:

Year/Make/Model: _____ Color: _____

Vehicle ID#: _____ Tag No: _____ Mileage: _____

Names on title: _____ Present Value: \$ _____

Loan Owed to: _____

Balance on Loan: _____
Monthly Payment: \$ _____ (List all other automobiles, as well as other vehicles, such as boats, motorcycles, bicycles, or aircraft, on the back of this sheet or an additional sheet if necessary.)

Have you given, sold, loaned, or transferred any real or personal property worth more than \$100 to any persons in the last year? If your answer is "Yes" describe the property and sale price, and give the names and address of the persons who received the property.

Does anyone owe you money? Amount owed: \$ _____
Names and Address of Person Owing Money: _____
Reason money is owed: _____

Please attach copies of the following:

- a. Your last pay stub.
- b. Your last 3 statements for each bank, savings, credit union, or other financial account.
- c. Your motor vehicle registrations and titles.
- d. Any deeds or titles to any real or personal property you own or are buying, or leases to property you are renting.

UNDER PENALTY OF PERJURY, I SWEAR OR AFFIRM THAT THE FOREGOING ANSWERS ARE TRUE AND COMPLETE.

JUDGMENT DEBTOR

STATE OF FLORIDA
COUNTY OF _____

The foregoing instrument was acknowledged before me this _____ day of _____, 20____, by _____, who is personally known to me or has produced _____ as identification and who __ did/did__ not take an oath.

WITNESS my hand and official seal, this _____ day of _____, 20____

Notary Public
State of Florida

My Commission expires:

MAIL OR DELIVER THIS FORM TO THE CLERK OF THE COURT, AND MAIL OR DELIVER A COPY OF THE COMPLETED FORM TO THE JUDGMENT CREDITOR'S ATTORNEY.