



CERTIFICATION OF TAX DEED APPLICATION

Sections 197.502 and 197.542, Florida Statutes

DR-513
Rule 12D-16.002 F.A.C
Effective 07/19
Page 1 of 2

0422.102

Part 1: Tax Deed Application Information

Applicant Name	KEYS FUNDING LLC - 1019	Application date	Apr 22, 2021
Applicant Address	US BANK CF KEYS FUNDING LLC - 1019 PO BOX 645040 CINCINNATI, OH 45264-5040		
Property description	KINLEY BRITTANY A & KINLEY TEMPLE DANIELE ANCARROW 6201 DALLAS AVE PENSACOLA, FL 32526 6201 DALLAS AVE 04-1194-875 S 122 FT OF E 155 57/100 FT OF BLK L WEST PENSACOLA HTS PB 2 P 34A OR 3840 P 922	Certificate #	2019 / 1675
		Date certificate issued	06/01/2019

Part 2: Certificates Owned by Applicant and Filed with Tax Deed Application

Column 1 Certificate Number	Column 2 Date of Certificate Sale	Column 3 Face Amount of Certificate	Column 4 Interest	Column 5: Total (Column 3 + Column 4)
# 2019/1675	06/01/2019	1,109.19	55.46	1,164.65
→ Part 2: Total*				1,164.65

Part 3: Other Certificates Redeemed by Applicant (Other than County)

Column 1 Certificate Number	Column 2 Date of Other Certificate Sale	Column 3 Face Amount of Other Certificate	Column 4 Tax Collector's Fee	Column 5 Interest	Total (Column 3 + Column 4 + Column 5)
# 2020/1789	06/01/2020	1,114.85	6.25	55.74	1,176.84
Part 3: Total*					1,176.84

Part 4: Tax Collector Certified Amounts (Lines 1-7)

1. Cost of all certificates in applicant's possession and other certificates redeemed by applicant (*Total of Parts 2 + 3 above)	2,341.49
2. Delinquent taxes paid by the applicant	0.00
3. Current taxes paid by the applicant	1,039.16
4. Property information report fee	200.00
5. Tax deed application fee	175.00
6. Interest accrued by tax collector under s.197.542, F.S. (see Tax Collector Instructions, page 2)	0.00
7.	
Total Paid (Lines 1-6)	3,755.65

I certify the above information is true and the tax certificates, interest, property information report fee, and tax collector's fees have been paid, and that the property information statement is attached.

Sign here: *Shirley Rish, CFCA* Escambia, Florida
 Signature, Tax Collector or Designee Date May 4th, 2021

Send this certification to the Clerk of Court by 10 days after the date signed. See Instructions on Page 2

Part 5: Clerk of Court Certified Amounts (Lines 8-14)	
8. Processing tax deed fee	
9. Certified or registered mail charge	
10. Clerk of Court advertising, notice for newspaper, and electronic auction fees	
11. Recording fee for certificate of notice	
12. Sheriff's fees	
13. Interest (see Clerk of Court Instructions, page 2)	
14. Total Paid (Lines 8-13)	
15. Plus one-half of the assessed value of homestead property, if applicable under s. 197.502(6)(c), F.S.	44,937.00
16. Statutory opening bid (total of Lines 7, 14, 15, and 16 if applicable)	
Sign here: _____ Date of sale <u>4 April 2022</u>	
Signature, Clerk of Court or Designee	

**INSTRUCTIONS
 PLUS \$6.25**

Tax Collector (complete Parts 1-4)

Part 2: Certificates Owned by Applicant and Filed with Tax Deed Application
 Enter the Face Amount of Certificate in Column 3 and the Interest in Column 4 for each certificate number. Add Columns 3 and 4 and enter the amount in Column 5.

Part 3: Other Certificates Redeemed by Applicant (Other than County)
Total. Add the amounts in Columns 3, 4 and 5

Part 4: Tax Collector Certified Amounts (Lines 1-7)

Line 1, enter the total of Part 2 plus the total of Part 3 above.

Total Paid, Line 7: Add the amounts of Lines 1-6

Line 6, Interest accrued by tax collector. Calculate the 1.5 percent interest accrued from the month after the date of application through the month this form is certified to the clerk. Enter the amount to be certified to the clerk on **Line 6**. The interest calculated by the tax collector stops before the interest calculated by the clerk begins. See Section 197.542, F.S., and Rule 12D-13.060(3), Florida Administrative Code.

The tax collector's interest for redemption at the time of the tax deed application is a cost of redemption, which encompasses various percentages of interest on certificates and omitted or delinquent taxes under Section 197.502, F.S. This interest is calculated before the tax collector calculates the interest in Section 197.542, F.S.

Attach certified statement of names and addresses of persons who must be notified before the sale of the property. Send this form and any required attachments to the Clerk of Court within 10 days after it is signed.

Clerk of Court (complete Part 5)

Line 13: Interest is calculated at the rate of 1.5 percent per month starting from the first day of the month after the month of certification of this form through the last day of the month in which the sale will be held. Multiply the calculated rate by the total of **Line 7**, minus **Line 6**, plus **Lines 8 through 12**. Enter the amount on **Line 13**.

Line 14: Enter the total of Lines 8-13. Complete Lines 15-18, if applicable.

APPLICATION FOR TAX DEED

Section 197.502, Florida Statutes

512
R. 12/16

Application Number: 2100424

To: Tax Collector of ESCAMBIA COUNTY, Florida

I,
KEYS FUNDING LLC - 1019
US BANK CF KEYS FUNDING LLC - 1019
PO BOX 645040
CINCINNATI, OH 45264-5040,

hold the listed tax certificate and hereby surrender the same to the Tax Collector and make tax deed application thereon:

Account Number	Certificate No.	Date	Legal Description
04-1194-875	2019/1675	06-01-2019	S 122 FT OF E 155 57/100 FT OF BLK L WEST PENSACOLA HTS PB 2 P 34A OR 3840 P 922

I agree to:

- pay any current taxes, if due and
- redeem all outstanding tax certificates plus interest not in my possession, and
- pay all delinquent and omitted taxes, plus interest covering the property.
- pay all Tax Collector's fees, property information report costs, Clerk of the Court costs, charges and fees, and Sheriff's costs, if applicable.

Attached is the tax sale certificate on which this application is based and all other certificates of the same legal description which are in my possession.

Electronic signature on file
KEYS FUNDING LLC - 1019
US BANK CF KEYS FUNDING LLC - 1019
PO BOX 645040
CINCINNATI, OH 45264-5040

04-22-2021
Application Date

Applicant's signature



Chris Jones Escambia County Property Appraiser

Real Estate Search

Tangible Property Search

Sale List

← Nav. Mode Account Reference →

Printer Friendly Version

General Information Reference: 421S302201050012 Account: 041194875 Owners: KINLEY BRITTANY A & KINLEY TEMPLE DANIELE ANCARROW Mail: 6201 DALLAS AVE PENSACOLA, FL 32526 Situs: 6201 DALLAS AVE 32526 Use Code: SINGLE FAMILY RESID Taxing Authority: COUNTY MSTU Tax Inquiry: Open Tax Inquiry Window Tax Inquiry link courtesy of Scott Lunsford Escambia County Tax Collector	Assessments <table border="1"> <thead> <tr> <th>Year</th> <th>Land</th> <th>Imprv</th> <th>Total</th> <th>Cap Val</th> </tr> </thead> <tbody> <tr> <td>2020</td> <td>\$19,097</td> <td>\$87,302</td> <td>\$106,399</td> <td>\$89,874</td> </tr> <tr> <td>2019</td> <td>\$19,097</td> <td>\$81,276</td> <td>\$100,373</td> <td>\$87,854</td> </tr> <tr> <td>2018</td> <td>\$18,300</td> <td>\$75,675</td> <td>\$93,975</td> <td>\$86,216</td> </tr> </tbody> </table> <p style="text-align: center;">Disclaimer</p> <p style="text-align: center;">Market Value Breakdown Letter</p> <p style="text-align: center;">Tax Estimator</p> <p style="text-align: center;">File for New Homestead Exemption Online</p> <p style="text-align: center;">Report Storm Damage</p>	Year	Land	Imprv	Total	Cap Val	2020	\$19,097	\$87,302	\$106,399	\$89,874	2019	\$19,097	\$81,276	\$100,373	\$87,854	2018	\$18,300	\$75,675	\$93,975	\$86,216
Year	Land	Imprv	Total	Cap Val																	
2020	\$19,097	\$87,302	\$106,399	\$89,874																	
2019	\$19,097	\$81,276	\$100,373	\$87,854																	
2018	\$18,300	\$75,675	\$93,975	\$86,216																	

Sales Data <table border="1"> <thead> <tr> <th>Sale Date</th> <th>Book</th> <th>Page</th> <th>Value</th> <th>Type</th> <th>Official Records (New Window)</th> </tr> </thead> <tbody> <tr> <td>09/1995</td> <td>3840</td> <td>922</td> <td>\$48,200</td> <td>WD</td> <td></td> </tr> </tbody> </table> Official Records Inquiry courtesy of Pam Childers Escambia County Clerk of the Circuit Court and Comptroller	Sale Date	Book	Page	Value	Type	Official Records (New Window)	09/1995	3840	922	\$48,200	WD		2020 Certified Roll Exemptions HOMESTEAD EXEMPTION Legal Description S 122 FT OF E 155 57/100 FT OF BLK L WEST PENSACOLA HTS PB 2 P 34A OR 3840 P 922 Extra Features CARPORT FRAME GARAGE GREENHOUSE UTILITY BLDG
Sale Date	Book	Page	Value	Type	Official Records (New Window)								
09/1995	3840	922	\$48,200	WD									

Parcel Information Section Map Id: 42-1S-30-2 Approx. Acreage: 0.4384 Zoned: MDR Evacuation & Flood Information Open Report	Launch Interactive Map
View Florida Department of Environmental Protection(DEP) Data	

Buildings

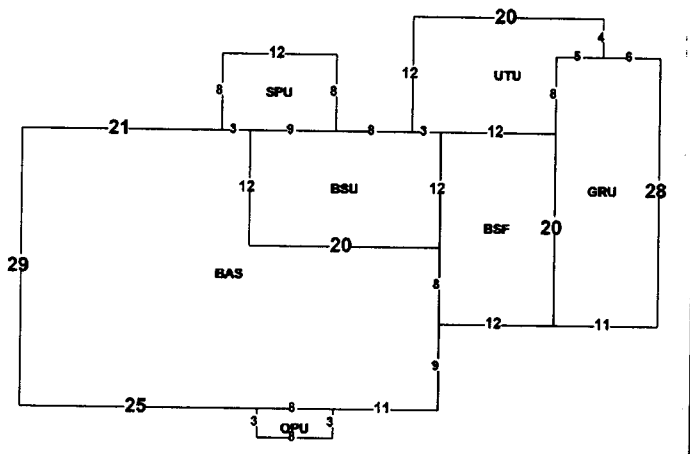
Address: 6201 DALLAS AVE, Year Built: 1973, Effective Year: 1973, PA Building ID#: 66935

Structural Elements

DECOR/MILLWORK-AVERAGE
DWELLING UNITS-1
EXTERIOR WALL-BRICK-COMMON
EXTERIOR WALL-SIDING-LAP.AAVG
FLOOR COVER-CARPET
FOUNDATION-WOOD/SUB FLOOR
HEAT/AIR-CENTRAL H/AC
INTERIOR WALL-DRYWALL-PLASTER
NO. PLUMBING FIXTURES-5
NO. STORIES-2
ROOF COVER-DIMEN/ARCH SHNG
ROOF FRAMING-GABLE
STORY HEIGHT-0
STRUCTURAL FRAME-WOOD FRAME

Areas - 2384 Total SF

BASE AREA - 1276
BASE SEMI FIN - 240
BASE SEMI UNF - 240
GARAGE UNFIN - 308
OPEN PORCH UNF - 24
SCRN PORCH UNF - 96
UTILITY UNF - 200



Images



2/10/20

The primary use of the assessment data is for the preparation of the current year tax roll. No responsibility or liability is assumed for inaccuracies or errors.

NOTICE OF APPLICATION FOR TAX DEED

NOTICE IS HEREBY GIVEN, That **KEYS FUNDING LLC-1019** holder of **Tax Certificate No. 01675**, issued the **1st day of June, A.D., 2019** has filed same in my office and has made application for a tax deed to be issued thereon. Said certificate embraces the following described property in the County of Escambia, State of Florida, to wit:

S 122 FT OF E 155 57/100 FT OF BLK L WEST PENSACOLA HTS PB 2 P 34A OR 3840 P 922

SECTION 42, TOWNSHIP 1 S, RANGE 30 W

TAX ACCOUNT NUMBER 041194875 (0422-62)

The assessment of the said property under the said certificate issued was in the name of

BRITTANY A KINLEY and TEMPLE DANIELE ANCARROW KINLEY

Unless said certificate shall be redeemed according to law, the property described therein will be sold to the highest bidder at public auction at 9:00 A.M. on the **first** Monday in the month of April, which is the **4th day of April 2022**.

Dated this 25th day of May 2021.

In accordance with the AMERICANS WITH DISABILITIES ACT, if you are a person with a disability who needs special accommodation in order to participate in this proceeding you are entitled to the provision of certain assistance. Please contact Emily Hogg not later than seven days prior to the proceeding at Escambia County Government Complex, 221 Palafox Place Ste 110, Pensacola FL 32502. Telephone: 850-595-3793.



PAM CHILDERS
CLERK OF THE CIRCUIT COURT
ESCAMBIA COUNTY, FLORIDA

By:
Emily Hogg
Deputy Clerk

PAM CHILDERS
 CLERK OF THE CIRCUIT COURT
 ARCHIVES AND RECORDS
 CHILDSUPPORT
 CIRCUIT CIVIL
 CIRCUIT CRIMINAL
 COUNTY CIVIL
 COUNTY CRIMINAL
 DOMESTIC RELATIONS
 FAMILY LAW
 JURY ASSEMBLY
 JUVENILE
 MENTAL HEALTH
 MIS
 OPERATIONAL SERVICES
 PROBATE
 TRAFFIC



**COUNTY OF ESCAMBIA
 OFFICE OF THE
 CLERK OF THE CIRCUIT COURT**

**BRANCH OFFICES
 ARCHIVES AND RECORDS
 JUVENILE DIVISION
 CENTURY**

CLERK TO THE BOARD OF
 COUNTY COMMISSIONERS
 OFFICIAL RECORDS
 COUNTY TREASURY
 AUDITOR

**PAM CHILDERS, CLERK OF THE CIRCUIT COURT
 Tax Certificate Redeemed From Sale
 Account: 041194875 Certificate Number: 001675 of 2019**

Payor: BRITTANY PERCELL 6201 DALLAS AVE PENSACOLA, FL 32526 Date 10/29/2021

Clerk's Check #	1	Clerk's Total	\$51.06
Tax Collector Check #	1	Tax Collector's Total	\$4,37.92
		Postage	\$0.00
		Researcher Copies	\$0.00
		Recording	\$10.00
		Prep Fee	\$7.00
		Total Received	\$5,065.98

4288.94
 \$4305.94

**PAM CHILDERS
 Clerk of the Circuit Court**

Received By:
 Deputy Clerk

PAM CHILDERS
 CLERK OF THE CIRCUIT COURT
 ARCHIVES AND RECORDS
 CHILDSUPPORT
 CIRCUIT CIVIL
 CIRCUIT CRIMINAL
 COUNTY CIVIL
 COUNTY CRIMINAL
 DOMESTIC RELATIONS
 FAMILY LAW
 JURY ASSEMBLY
 JUVENILE
 MENTAL HEALTH
 MIS
 OPERATIONAL SERVICES
 PROBATE
 TRAFFIC



BRANCH OFFICES
ARCHIVES AND RECORDS
JUVENILE DIVISION
CENTURY

CLERK TO THE BOARD OF
 COUNTY COMMISSIONERS
 OFFICIAL RECORDS
 COUNTY TREASURY
 AUDITOR

COUNTY OF ESCAMBIA
OFFICE OF THE
CLERK OF THE CIRCUIT COURT

Case # 2019 TD 001675

Redeemed Date 10/29/2021

Name BRITTANY PERCELL 6201 DALLAS AVE PENSACOLA, FL 32526

Clerk's Total = TAXDEED	\$ 551.06 4288.94
Due Tax Collector = TAXDEED	\$ 4,437.92
Postage = TD2	\$60.00
ResearcherCopies = TD6	\$0.00
Release TDA Notice (Recording) = RECORD2	\$10.00
Release TDA Notice (Prep Fee) = TD4	\$7.00

• For Office Use Only

Date	Docket	Desc	Amount Owed	Amount Due	Payee Name
------	--------	------	-------------	------------	------------

FINANCIAL SUMMARY

No Information Available - See Dockets



PAM CHILDERS
CLERK OF THE CIRCUIT COURT
ESCAMBIA COUNTY, FLORIDA

Tax Deed - Redemption Calculator

Account: 041194875 Certificate Number: 001675 of 2019

Redemption Application Date Interest Rate

	Final Redemption Payment ESTIMATED	Redemption Overpayment ACTUAL
	Auction Date <input type="text" value="04/04/2022"/>	Redemption Date <input type="text" value="10/29/2021"/>
Months	12	6
Tax Collector	<input type="text" value="\$3,755.65"/>	<input type="text" value="\$3,755.65"/>
Tax Collector Interest	\$676.02	\$338.01
Tax Collector Fee	<input type="text" value="\$6.25"/>	<input type="text" value="\$6.25"/>
Total Tax Collector	\$4,437.92	\$4,099.91 <i>TC</i>
Record TDA Notice	<input type="text" value="\$17.00"/>	<input type="text" value="\$17.00"/>
Clerk Fee	<input type="text" value="\$130.00"/>	<input type="text" value="\$130.00"/>
Sheriff Fee	<input type="text" value="\$120.00"/>	<input type="text" value="\$120.00"/>
Legal Advertisement	<input type="text" value="\$200.00"/>	<input type="text" value="\$200.00"/>
App. Fee Interest	\$84.06	\$42.03
Total Clerk	\$551.06	\$509.03 <i>OK</i>
Release TDA Notice (Recording)	<input type="text" value="\$10.00"/>	<input type="text" value="\$10.00"/>
Release TDA Notice (Prep Fee)	<input type="text" value="\$7.00"/>	<input type="text" value="\$7.00"/>
Postage	<input type="text" value="\$60.00"/>	<input type="text" value="\$0.00"/>
Researcher Copies	<input type="text" value="\$0.00"/>	<input type="text" value="\$0.00"/>
Total Redemption Amount	\$5,065.98	\$4,625.94
	Repayment Overpayment Refund Amount	\$440.04
Book/Page	<input type="text" value="8537"/>	<input type="text" value="1276"/>

RELEASE OF NOTICE OF APPLICATION FOR TAX DEED

Pursuant to § 197.502(5)(c), Florida Statutes, the Escambia County Clerk of Court fully releases the Notice of Tax Deed Application recorded at Official Records Book 8537, Page 1276, of Escambia County, for the tax certificate, tax deed, and property described below:

Tax Certificate No. Certificate No. 01675, issued the 1st day of June, A.D., 2019

TAX ACCOUNT NUMBER: 041194875 (0422-62)

DESCRIPTION OF PROPERTY:

S 122 FT OF E 155 57/100 FT OF BLK L WEST PENSACOLA HTS PB 2 P 34A OR 3840 P 922

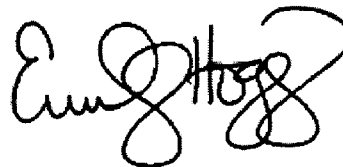
SECTION 42, TOWNSHIP 1 S, RANGE 30 W

NAME IN WHICH ASSESSED: BRITTANY A KINLEY and TEMPLE DANIELE ANCARROW
KINLEY

Dated this 29th day of October 2021.



PAM CHILDERS
CLERK OF THE CIRCUIT COURT
ESCAMBIA COUNTY, FLORIDA



By:
Emily Hogg
Deputy Clerk