

19-469

Tax Collector's Certification

CTY-513

Tax Deed Application Number
1900167

Date of Tax Deed Application
Apr 17, 2019

This is to certify that **CATALINA TAX CO LLC SERIES 17 US BANK % CATALINA TAX -SER 17**, holder of **Tax Sale Certificate Number 2017 / 3864**, Issued the 1st Day of June, 2017 and which encumbers the following described property in the county of Escambia County, State of Florida, to wit: **07-4461-000**

Cert Holder:
CATALINA TAX CO LLC SERIES 17 US BANK % CATALINA TAX -SER 17
PO BOX 645040
CINCINNATI, OH 45264-5040

Property Owner:
WEEKS SAMUEL E
201 N PINWOOD LN
PENSACOLA, FL 32507

BEG AT SE COR OF BLK 2 WESTERLY HTS PB 2 P 14 N ALG W LI OF 1ST ST 360 FT FOR POB CONTINUE SAME COUR (Full legal attached.)

has surrendered same in my office and made written application for tax deed in accordance with Florida Statutes. I certify that the following tax certificates, interest, ownership and encumbrance report fee, and Tax Collector's fees have been paid, or if the certificate is held by the County, all appropriate fees have been deposited.

Certificates owned by applicant and filed in connection with this application:

Certificate Year/Number	Account Number	Sale Date	Face Amount of Certificate	Interest	Total
2017/3864	07-4461-000	06/01/2017	1,403.40	70.17	1,473.57

Certificates redeemed by applicant or included (County) in connection with this tax deed application:

Certificate Year/Number	Account Number	Sale Date	Face Amount of Certificate	Tax Collector's Fee	Interest	Total
/						

Amounts Certified by Tax Collector (Lines 1-7):

	Total Amount Paid
1. Total of all Certificates in Applicant's Possession and Cost of the Certificates Redeemed by Applicant	1,473.57
2. Total of Delinquent Taxes Paid by Tax Deed Applicant	0.00
3. Total of Current Taxes Paid by Tax Deed Applicant	1,322.39
4. Property Information Report Fee	200.00
5. Tax Deed Application Fee	175.00
6. Total Interest Accrued by Tax Collector Pursuant to Section 197.542, F.S.	
7. Total (Lines 1 - 6)	3,170.96

Amounts Certified by Clerk of Court (Lines 8-15):

	Total Amount Paid
8. Clerk of Court Statutory Fee for Processing Tax Deed	
9. Clerk of Court Certified Mail Charge	
10. Clerk of Court Advertising Charge	
11. Clerk of Court Recording Fee for Certificate of Notice	
12. Sheriff's Fee	
13. Interest Computed by Clerk of Court Pursuant to Section 197.542, F.S.	
14. Total (Lines 8 - 13)	
15. One-half Assessed Value of Homestead Property, if Applicable per F.S.	
16. Other Outstanding Certificates and Delinquent Taxes Not Included in this Application,	
17. Statutory (Opening) Bid; Total of Lines 7, 14, 15 (if applicable) and 16 (if	
18. Redemption Fee	6.25
19. Total Amount to Redeem	

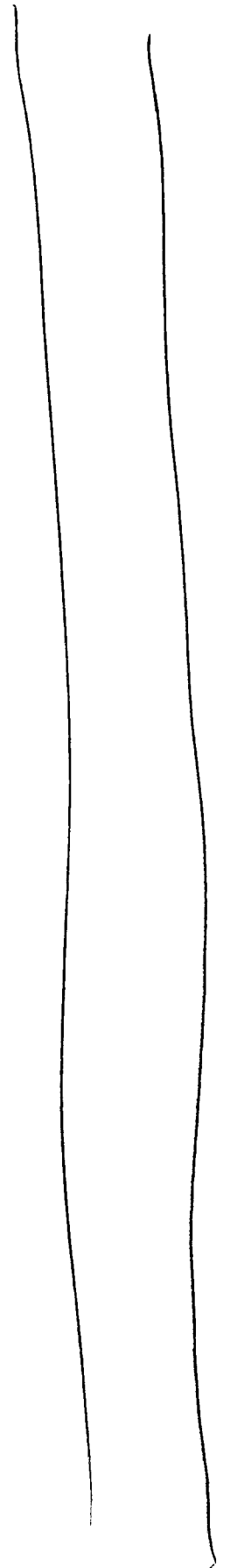
Done this the 24th day of April, 2019 Scott Lunsford, Tax Collector of Escambia County

Date of Sale: 10-7-19 By 

*This certification must be surrendered to the Clerk of the Circuit Court no later than ten (10) days after this date.
07-4461-000 2017

BEG AT SE COR OF BLK 2 WESTERLY HTS PB 2 P 14 N ALG W LI OF 1ST ST 360 FT FOR POB CONTINUE SAME COURSE 90 FT W 120

FT S 90 FT E 120 FT TO POB BEING S 90 FT OF LTS 1 2 BLK 18 OF UNRECORDED PLAT OR 5598 P 2003 OR 7164 P 491 CA 160



APPLICATION FOR TAX DEED
Section 197.502, Florida Statutes

512
R. 12/16

Application Number: 1900167

To: Tax Collector of ESCAMBIA COUNTY, Florida

I,
CATALINA TAX CO LLC SERIES 17 US BANK % CATALINA TAX -SER 17
PO BOX 645040
CINCINNATI, OH 45264-5040,

hold the listed tax certificate and hereby surrender the same to the Tax Collector and make tax deed application thereon:

Account Number	Certificate No.	Date	Legal Description
07-4461-000	2017/3864	06-01-2017	BEG AT SE COR OF BLK 2 WESTERLY HTS PB 2 P 14 N ALG W LI OF 1ST ST 360 FT FOR POB CONTINUE SAME COURSE 90 FT W 120 FT S 90 FT E 120 FT TO POB BEING S 90 FT OF LTS 1 2 BLK 18 OF UNRECORDED PLAT OR 5598 P 2003 OR 7164 P 491 CA 160

I agree to:

- pay any current taxes, if due and
- redeem all outstanding tax certificates plus interest not in my possession, and
- pay all delinquent and omitted taxes, plus interest covering the property.
- pay all Tax Collector's fees, property information report costs, Clerk of the Court costs, charges and fees, and Sheriff's costs, if applicable.

Attached is the tax sale certificate on which this application is based and all other certificates of the same legal description which are in my possession.

Electronic signature on file
CATALINA TAX CO LLC SERIES 17 US BANK %
CATALINA TAX -SER 17
PO BOX 645040
CINCINNATI, OH 45264-5040

04-17-2019
Application Date

Applicant's signature



Chris Jones
Escambia County Property Appraiser

Real Estate Search Tangible Property Search Sale List

[Back](#)

◆ Navigate Mode ● Account ○ Reference ◆

[Printer Friendly Version](#)

General Information

Reference: 382S301001010018
Account: 074461000
Owners: WEEKS SAMUEL E
Mail: 201 N PINWOOD LN
 PENSACOLA, FL 32507
Situs: 201 N PINWOOD LN 32507
Use Code: SINGLE FAMILY RESID

Taxing Authority: COUNTY MSTU
Tax Inquiry: [Open Tax Inquiry Window](#)
 Tax Inquiry link courtesy of Scott Lunsford
 Escambia County Tax Collector

Assessments

Year	Land	Imprv	Total	Cap Val
2018	\$10,260	\$72,379	\$82,639	\$82,639
2017	\$10,260	\$69,216	\$79,476	\$79,476
2016	\$10,260	\$67,029	\$77,289	\$77,289

[Disclaimer](#)

Tax Estimator

> File for New Homestead Exemption Online

Sales Data

Sale Date	Book	Page	Value	Type	Official Records (New Window)
04/07/2014	7164	491	\$100	QC	View Instr
03/2005	5598	2003	\$70,800	WD	View Instr
07/1997	4413	167	\$69,900	WD	View Instr
07/1986	2256	506	\$48,000	WD	View Instr
01/1975	960	692	\$100	QC	View Instr

Official Records Inquiry courtesy of Pam Childers
 Escambia County Clerk of the Circuit Court and
 Comptroller

2018 Certified Roll Exemptions
None

Legal Description

BEG AT SE COR OF BLK 2 WESTERLY HTS PB 2 P 14 N ALG
 W LI OF 1ST ST 360 FT FOR POB CONTINUE SAME
 COURSE 90 FT W...

Extra Features
None

Parcel Information [Launch Interactive Map](#)

Section Map Id:
CA160

Approx. Acreage:
0.2500

Zoned:
MDR

Evacuation & Flood Information
[Open Report](#)


[View Florida Department of Environmental Protection \(DEP\) Data](#)

Buildings

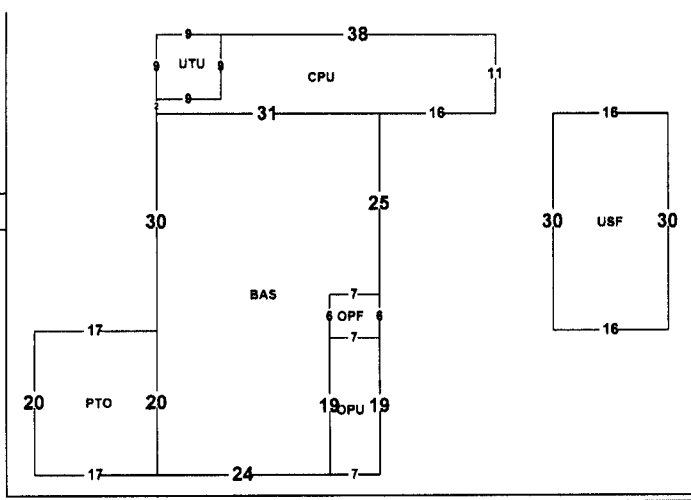
Address: 201 N PINWOOD LN, Year Built: 1961, Effective Year: 1961

<p>Structural Elements DECOR/MILLWORK-AVERAGE DWELLING UNITS-1 EXTERIOR WALL-BRICK-FACE/VENEER FLOOR COVER-CARPET FOUNDATION-WOOD/SUB FLOOR</p>

HEAT/AIR-WALL/FLOOR FURN
INTERIOR WALL-DRYWALL-PLASTER
NO. PLUMBING FIXTURES-6
NO. STORIES-2
ROOF COVER-COMPOSITION SHG
ROOF FRAMING-GABLE-HI PITCH
STORY HEIGHT-0
STRUCTURAL FRAME-WOOD FRAME

 Areas - 2887 Total SF

BASE AREA - 1375
CARPORT UNF - 436
OPEN PORCH FIN - 42
OPEN PORCH UNF - 133
PATIO - 340
UPPER STORY FIN - 480
UTILITY UNF - 81



Images



12/10/18

The primary use of the assessment data is for the preparation of the current year tax roll. No responsibility or liability is assumed for inaccuracies or errors.

Last Updated:04/25/2019 (tc.38190)

NOTICE OF APPLICATION FOR TAX DEED

NOTICE IS HEREBY GIVEN, That **CATALINA TAX CO LLC SERIES 17 US BANK** holder of **Tax Certificate No. 03864**, issued the **1st day of June, A.D., 2017** has filed same in my office and has made application for a tax deed to be issued thereon. Said certificate embraces the following described property in the County of Escambia, State of Florida, to wit:

BEG AT SE COR OF BLK 2 WESTERLY HTS PB 2 P 14 N ALG W LI OF 1ST ST 360 FT FOR POB CONTINUE SAME COURSE 90 FT W 120 FT S 90 FT E 120 FT TO POB BEING S 90 FT OF LTS 1 2 BLK 18 OF UNRECORDED PLAT OR 5598 P 2003 OR 7164 P 491 CA 160

SECTION 38, TOWNSHIP 2 S, RANGE 30 W

TAX ACCOUNT NUMBER 074461000 (19-469)

The assessment of the said property under the said certificate issued was in the name of

SAMUEL E WEEKS

Unless said certificate shall be redeemed according to law, the property described therein will be sold to the highest bidder at public auction at 9:00 A.M. on the **first Monday** in the month of October, which is the **7th day of October 2019**.

Dated this 3rd day of May 2019.

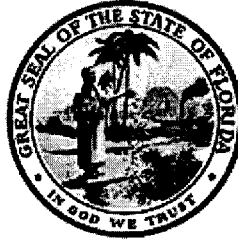
In accordance with the AMERICANS WITH DISABILITIES ACT, if you are a person with a disability who needs special accommodation in order to participate in this proceeding you are entitled to the provision of certain assistance. Please contact Emily Hogg not later than seven days prior to the proceeding at Escambia County Government Complex, 221 Palafox Place Ste 110, Pensacola FL 32502. Telephone: 850-595-3793.



PAM CHILDERS
CLERK OF THE CIRCUIT COURT
ESCAMBIA COUNTY, FLORIDA

By:
Emily Hogg
Deputy Clerk

PAM CHILDERS
 CLERK OF THE CIRCUIT COURT
 ARCHIVES AND RECORDS
 CHILDSUPPORT
 CIRCUIT CIVIL
 CIRCUIT CRIMINAL
 COUNTY CIVIL
 COUNTY CRIMINAL
 DOMESTIC RELATIONS
 FAMILY LAW
 JURY ASSEMBLY
 JUVENILE
 MENTAL HEALTH
 MIS
 OPERATIONAL SERVICES
 PROBATE
 TRAFFIC



BRANCH OFFICES
ARCHIVES AND RECORDS
JUVENILE DIVISION
CENTURY

CLERK TO THE BOARD OF
 COUNTY COMMISSIONERS
 OFFICIAL RECORDS
 COUNTY TREASURY
 AUDITOR

COUNTY OF ESCAMBIA
OFFICE OF THE
CLERK OF THE CIRCUIT COURT

PAM CHILDERS, CLERK OF THE CIRCUIT COURT
Tax Certificate Redeemed From Sale
Account: 074461000 Certificate Number: 003864 of 2017

Payor: JACK KHORRAM 1252 SANIBEL LN GULF BREEZE FL 32563 Date 05/22/2019

Clerk's Check #	1	Clerk's Total	\$509.03
Tax Collector Check #	1	Tax Collector's Total	\$3,462.60
		Postage	\$60.00
		Researcher Copies	\$40.00
		Recording	\$10.00
		Prep Fee	\$7.00
		Total Received	\$4,088.63

3378.78
 3395.78

PAM CHILDERS
 Clerk of the Circuit Court

Received By:
 Deputy Clerk

Escambia County Government Complex • 221 Palafox Place Ste 110 • PENSACOLA, FLORIDA 32502
 (850) 595-3793 • FAX (850) 595-4827 • <http://www.clerk.co.escambia.fl.us>

PAM CHILDERS
 CLERK OF THE CIRCUIT COURT
 ARCHIVES AND RECORDS
 CHILDSUPPORT
 CIRCUIT CIVIL
 CIRCUIT CRIMINAL
 COUNTY CIVIL
 COUNTY CRIMINAL
 DOMESTIC RELATIONS
 FAMILY LAW
 JURY ASSEMBLY
 JUVENILE
 MENTAL HEALTH
 MIS
 OPERATIONAL SERVICES
 PROBATE
 TRAFFIC



BRANCH OFFICES
ARCHIVES AND RECORDS
JUVENILE DIVISION
CENTURY

CLERK TO THE BOARD OF
 COUNTY COMMISSIONERS
 OFFICIAL RECORDS
 COUNTY TREASURY
 AUDITOR

COUNTY OF ESCAMBIA
OFFICE OF THE
CLERK OF THE CIRCUIT COURT

Case # 2017 TD 003864
Redeemed Date 05/22/2019

Name JACK KHORRAM 1252 SANIBEL LN GULF BREEZE FL 32563

Clerk's Total = TAXDEED	\$509.03	\$509.03 \$ 3378.78
Due Tax Collector = TAXDEED	\$3,462.60	
Postage = TD2	\$60.00	
ResearcherCopies = TD6	\$40.00	
Release TDA Notice (Recording) = RECORD2	\$10.00	
Release TDA Notice (Prep Fee) = TD4	\$7.00	

• For Office Use Only

Date	Docket	Desc	Amount Owed	Amount Due	Payee Name
------	--------	------	-------------	------------	------------

FINANCIAL SUMMARY
 No Information Available - See Dockets



PAM CHILDERS
CLERK OF THE CIRCUIT COURT
ESCAMBIA COUNTY, FLORIDA

Tax Deed - Redemption Calculator

Account: 074461000 Certificate Number: 003864 of 2017

Redemption Yes No
 Application Date
 Interest Rate

	Final Redemption Payment ESTIMATED	Redemption Overpayment ACTUAL
	Auction Date <input type="text" value="10/07/2019"/>	Redemption Date <input type="text" value="05/31/2019"/>
Months	6	1
Tax Collector	<input type="text" value="\$3,170.96"/>	<input type="text" value="\$3,170.96"/>
Tax Collector Interest	\$285.39	\$47.56
Tax Collector Fee	<input type="text" value="\$6.25"/>	<input type="text" value="\$6.25"/>
Total Tax Collector	\$3,462.60	<input type="text" value="\$3,224.77"/> TC
Record TDA Notice	<input type="text" value="\$17.00"/>	<input type="text" value="\$17.00"/>
Clerk Fee	<input type="text" value="\$130.00"/>	<input type="text" value="\$130.00"/>
Sheriff Fee	<input type="text" value="\$120.00"/>	<input type="text" value="\$120.00"/>
Legal Advertisement	<input type="text" value="\$200.00"/>	<input type="text" value="\$200.00"/>
App. Fee Interest	\$42.03	\$7.01
Total Clerk	\$509.03	<input type="text" value="\$474.01"/> CL
Release TDA Notice (Recording)	<input type="text" value="\$10.00"/>	<input type="text" value="\$10.00"/>
Release TDA Notice (Prep Fee)	<input type="text" value="\$7.00"/>	<input type="text" value="\$7.00"/>
Postage	<input type="text" value="\$60.00"/>	<input type="text" value="\$0.00"/>
Researcher Copies	<input type="text" value="\$40.00"/>	<input type="text" value="\$0.00"/>
Total Redemption Amount	\$4,088.63	\$3,715.78
	Repayment Overpayment Refund Amount	\$372.85
Book/Page	<input type="text"/>	<input type="text"/>

Notes

RELEASE OF NOTICE OF APPLICATION FOR TAX DEED

Pursuant to § 197.502(5)(c), Florida Statutes, the Escambia County Clerk of Court fully releases the Notice of Tax Deed Application recorded at Official Records Book 8089, Page 322, of Escambia County, for the tax certificate, tax deed, and property described below:

Tax Certificate No. Certificate No. 03864, issued the 1st day of June, A.D., 2017

TAX ACCOUNT NUMBER: 074461000 (19-469)

DESCRIPTION OF PROPERTY:

**BEG AT SE COR OF BLK 2 WESTERLY HTS PB 2 P 14 N ALG W LI OF 1ST ST 360 FT FOR
POB CONTINUE SAME COURSE 90 FT W 120 FT S 90 FT E 120 FT TO POB BEING S 90 FT OF
LTS 1 2 BLK 18 OF UNRECORDED PLAT OR 5598 P 2003 OR 7164 P 491 CA 160**

SECTION 38, TOWNSHIP 2 S, RANGE 30 W

NAME IN WHICH ASSESSED: SAMUEL E WEEKS

Dated this 22nd day of May 2019.



PAM CHILDERS
CLERK OF THE CIRCUIT COURT
ESCAMBIA COUNTY, FLORIDA

By:
Emily Hogg
Deputy Clerk

Southern Guaranty Title Company

4400 Bayou Boulevard, Suite 13B

Pensacola, Florida 32503

Telephone: 850-478-8121

Facsimile: 850-476-1437

19-469
Redeemed

PROPERTY INFORMATION REPORT

File No.: 15228

July 11, 2019

Escambia County Tax Collector
P.O. Box 1312
Pensacola, Florida 32591

Pursuant to your request, the Company has caused a search to be made of the Public Records of Escambia County, Florida, solely as revealed by records maintained from 07-10-1999, through 07-10-2019, and said search reveals the following:

1. THE GRANTEE(S) OF THE LAST DEED(S) OF RECORD IS:

Samuel E. Weeks

2. The land covered by this Report is:

LEGAL DESCRIPTION IS ATTACHED HERETO AND MADE A PART HEREOF

3. The following unsatisfied mortgages, liens and judgments affecting the land covered by this Report appear of record:

SEE CONTINUATION PAGE ATTACHED HERETO AND MADE A PART HEREOF

4. Taxes:

SEE CONTINUATION PAGE ATTACHED HERETO AND MADE A PART HEREOF

This report is not title insurance. Pursuant to s. 627.7843, Florida Statutes, the maximum liability of the issuer of this property information report for errors or omissions in this property information report is limited to the amount paid for this property information report, and is further limited to the person(s) expressly identified by name in the property information report as the recipients(s) of the property information report.

THIS REPORT SHALL NOT BE USED FOR THE ISSUANCE OF TITLE INSURANCE.

Southern Guaranty Title Company

By: 

July 11, 2019

**PROPERTY INFORMATION REPORT
LEGAL DESCRIPTION**

File No.: 15228

July 11, 2019

382S301001010018 - Full Legal Description

BEG AT SE COR OF BLK 2 WESTERLY HTS PB 2 P 14 N ALG W LI OF 1ST ST 360 FT FOR POB CONTINUE
SAME COURSE 90 FT W 120 FT S 90 FT E 120 FT TO POB BEING S 90 FT OF LTS 1 2 BLK 18 OF UNRECORDED
PLAT OR 5598 P 2003 OR 7164 P 491 CA 160

**PROPERTY INFORMATION REPORT
CONTINUATION PAGE**

File No.: 15228

July 11, 2019

UNSATISFIED MORTGAGES, LIENS AND JUDGMENTS AFFECTING THE LAND COVERED BY THIS REPORT THAT APPEAR OF RECORD:

1. That certain mortgage executed by Samuel E. Weeks in favor of Central Credit Union of Florida dated 04/15/2014 and recorded 05/01/2014 in Official Records Book 7164, page 493 of the public records of Escambia County, Florida, in the original amount of \$42,000.00.
2. All Taxes Paid. The assessed value is \$82,639.00. Tax ID 07-4461-000.

PLEASE NOTE THE FOLLOWING:

- A. Subject to current year taxes.
- B. Taxes and assessments due now or in subsequent years.
- C. Subject to Easements, Restrictions and Covenants of record.
- D. Encroachments, overlaps, boundary line disputes, and any other matters which would be disclosed by an accurate survey and inspection of the premises.
- E. Oil, gas and mineral or any other subsurface rights of any kind or nature.

SOUTHERN GUARANTY TITLE COMPANY

4400 BAYOU BLVD., SUITE 13-B, CORDOVA SQUARE
PENSACOLA, FLORIDA 32503

TEL. (850) 478-8121 FAX (850) 476-1437

Email: rcsgr@aol.com

Escambia County Tax Collector
P.O. Box 1312
Pensacola, FL

CERTIFICATION: TITLE SEARCH FOR TDA

TAX DEED SALE DATE: 10-7-2019

TAX ACCOUNT NO.: 07-4461-000

CERTIFICATE NO.: 2017-3864

In compliance with Section 197.256, Florida Statutes, the following is a list of names and addresses of those persons, firms and/or agencies having legal interest in or claim against the above described property. The above referenced tax sale certificate is being submitted as proper notification of tax deed sale.

YES NO

 Notify City of Pensacola, P.O. Box 12910, 32521

 Notify Escambia County, 190 Governmental Center, 32502

 Homestead for tax year.

Samuel E. Weeks
201 N. Pinewood Lane
Pensacola, FL 32507

Central Credit Union of Florida
6200 N. "W" St.
Pensacola, FL 32522

Certified and delivered to Escambia County Tax Collector,
this 12th day of July, 2019.

SOUTHERN GUARANTY TITLE COMPANY


by: Richard S. Combs, President

NOTE: The above listed addresses are based upon current information available, but said addresses are not guaranteed to be true or correct.

Prepared By and Return to:
Samuel Weekes
201 N Pinewood Lane
Pensacola FL 32507

QUITCLAIM DEED

THIS QUITCLAIM DEED, Executed this 7 day of April, 2014 by first party, Grantor,
Karen D. Kendrick, an unmarried woman whose post office address is: 2050 Chapel Lakes Lane,
Wetumpka AL 36092 to second party, Grantee, Samuel E. Weeks_a/k/a Samuel E. Weekes,
whose post office address is: 201 N Pinewood Lane, Pensacola FL 32507.

WITNESSETH, That the said first party, for good consideration and for the sum of
Ten and 00/100-----Dollars (\$10.00) paid by the said second party, the receipt whereof is
hereby acknowledged, does hereby remise, release and quitclaim unto the said second party forever, all
the right, title, interest and claim which the said first party has in and to the following described parcel
of land, and improvements and appurtenances thereto in the County of Escambia, State of Florida to
wit:

See attached Exhibit A

IN WITNESS WHEREOF, The said first party has signed and sealed these presents the day and year first
above written. Signed, sealed and delivered in presence of:

Alice G. Scarborough
Witness Name: ALICE G. Scarborough

Karen D. Kendrick

Terrara Stanley
Witness Name: TERRARA Stanley

State of Alabama
County of Elmore

The foregoing instrument was acknowledged before me this 7th day of April 2014, by
Karen D Kendrick, who is personally known to me or who has produced
Alabama DL # 6081052 as identification.

Robert M. Miller
Notary Public

My Commission Expires: September 25, 2016

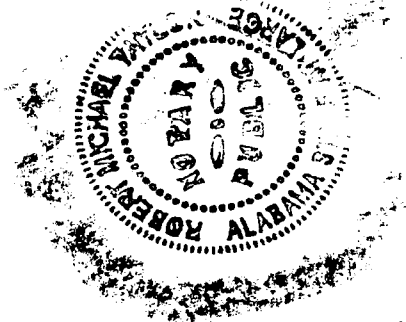


EXHIBIT "A"

BEGIN AT THE SOUTHEAST CORNER OF BLOCK 2, WESTERLY HEIGHTS, THENCE NORTH ALONG THE WEST LINE OF FIRST STREET, A DISTANCE OF 360.0 FEET FOR THE POINT OF BEGINNING, THENCE CONTINUE SAME COURSE FOR 90.0 FEET, THENCE WEST FOR 120.0 FEET, THENCE SOUTH FOR 90.0 FEET, THENCE EAST ALONG THE NORTH LINE OF THIRD AVENUE A DISTANCE OF 120.0 FEET TO THE POINT OF BEGINNING, BEING THE SOUTH 90.0 FEET OF LOTS 1 AND 2, BLOCK 18, OF AN UNRECORDED PLAT. ALL LYING IN AND BEING A PORTION OF SECTION 38, TOWNSHIP 2 SOUTH, RANGE 30 WEST, ESCAMBIA COUNTY, FLORIDA.

PREPARED BY

CYNTHIA ACOSTA
6200 N. "W" ST.
Pensacola, FL 32505

WHEN RECORDED, MAIL TO

Central Credit Union of Florida
PO BOX 17048
Pensacola, FL 32522

MORTGAGE

SPACE ABOVE IS FOR RECORDER'S USE

THIS MORTGAGE is made on 04/15/14, between the Mortgagor,
SAMUEL E WEEKES a/k/a SAMUEL E WEEKS, an unmarried man

(herein "Borrower"), and the Mortgagee, Central Credit Union of Florida, a
corporation organized and existing under the laws of State of Florida
whose address is 6200 N. "W" ST. Pensacola, FL 32522

(herein "Lender").

WHEREAS, Borrower is indebted to Lender in the principal sum of U.S. \$ 42,000.00 which indebtedness
is evidenced by Borrower's note dated 04/15/14 and extensions and renewals thereof (herein "Note"),
providing for monthly installments of principal and interest, with the balance of indebtedness, if not sooner paid,
due and payable on 04/30/29;

TO SECURE to Lender the repayment of the indebtedness evidenced by the Note, with interest thereon; the
payment of all other sums, with interest thereon, advanced in accordance herewith to protect the security of this
Mortgage; and the performance of the covenants and agreements of Borrower herein contained, Borrower does
hereby mortgage, grant and convey to Lender the following described property located in the County of
Escambia, State of Florida:

SEE ATTACHED EXHIBIT A

which has the address of 201 N Pinewood Lane
Pensacola (City), Florida 32507 (herein "Property Address");
(Street) (Zip Code)

TOGETHER with all the improvements now or hereafter erected on the property, and all easements, rights,
appurtenances and rents, all of which shall be deemed to be and remain a part of the property covered by this
Mortgage; and all of the foregoing, together with said property (or the leasehold estate if this Mortgage is on a
leasehold) are hereinafter referred to as the "Property."

Borrower covenants that Borrower is lawfully seised of the estate hereby conveyed and has the right to
mortgage, grant and convey the Property, and that the Property is unencumbered, except for encumbrances of
record. Borrower covenants that Borrower warrants and will defend generally the title to the Property against all
claims and demands, subject to encumbrances of record.