

## Notice to Tax Collector of Application for Tax Deed

### TO: Tax Collector of Escambia County

In accordance with Florida Statutes, I,

**WELLS FARGO BANK OBO TAX LIENS  
SECURITIZATION TRUS  
PO BOX 741307  
ATLANTA, Georgia, 30384-1307**

holder of the following tax sale certificate hereby surrender same to the Tax Collector and make tax deed application thereon:

<b>Certificate No.</b>	<b>Parcel ID Number</b>	<b>Date</b>	<b>Legal Description</b>
6427	09-3261-160	06/01/2010	11-2S3-115 LT 22 RAVINE WOODS PB 9 P 10 OR 1038 P 904

### **2011 TAX ROLL**

LYNCH BETTY J  
6526 COLONADE CIR  
PENSACOLA , Florida 32506

I agree to pay all delinquent taxes, redeem all outstanding certificates not in my possession, pay any omitted taxes, and pay current taxes, if due, covering the land, and pay any interest earned (a) on tax certificates not in my possession, (b) on omitted taxes or (c) on delinquent taxes. I also agree to pay all Tax Collector's fees, ownership and encumbrance reports costs, Clerk of the Court costs, charges and fees and Sheriff's costs, if applicable. Attached is the above-mentioned tax sale certificate on which this application is based and all other certificates of the same legal description which are in my possession.

wfremic10 (Shane Leach)

Applicant's Signature

04/26/2012

Date

**TAX COLLECTOR'S CERTIFICATION**

**Application  
Date / Number  
Apr 26, 2012 / 120356**

This is to certify that the holder listed below of Tax Sale Certificate Number **2010 / 6427** , issued the **1st day of June, 2010**, and which encumbers the following described property located in the County of Escambia, State of Florida to wit: **Parcel ID Number: 09-3261-160**

**Certificate Holder:**  
WELLS FARGO BANK OBO TAX LIENS SECURITIZATION TRUS  
PO BOX 741307  
ATLANTA, GEORGIA 30384-1307

**Property Owner:**  
LYNCH BETTY J  
6526 COLONADE CIR  
PENSACOLA , FLORIDA 32506

**Legal Description:** 11-2S3-115  
LT 22 RAVINE WOODS PB 9 P 10 OR 1038 P 904

has surrendered same in my office and made written application for tax deed in accordance with Florida Statutes. I certify that the following tax certificates, interest, ownership and encumbrance report fee, and Tax Collector's fees have been paid:

**CERTIFICATES OWNED BY APPLICANT AND FILED IN CONNECTION WITH THIS TAX DEED APPLICATION:**

Cert. Year	Certificate Number	Date of Sale	Face Amt	T/C Fee	Interest	Total
2010	6427	06/01/10	\$930.49	\$0.00	\$46.52	\$977.01

**CERTIFICATES REDEEMED BY APPLICANT OR INCLUDED (COUNTY) IN CONNECTION WITH THIS APPLICATION:**

Cert. Year	Certificate Number	Date of Sale	Face Amt	T/C Fee	Interest	Total
------------	--------------------	--------------	----------	---------	----------	-------

1. Total of all Certificates in Applicant's Possession and Cost of the Certificates Redeemed by Applicant or Included (County)
2. Total of Delinquent Taxes Paid by Tax Deed Application
3. Total of Current Taxes Paid by Tax Deed Applicant
4. Ownership and Encumbrance Report Fee
5. Tax Deed Application Fee
6. Total Certified by Tax Collector to Clerk of Court
7. Clerk of Court Statutory Fee
8. Clerk of Court Certified Mail Charge
9. Clerk of Court Advertising Charge
10. Sheriff's Fee
11. \_\_\_\_\_
12. Total of Lines 6 thru 11
13. Interest Computed by Clerk of Court Per Florida Statutes.....( %)
14. One-Half of the assessed value of homestead property. If applicable pursuant to section 197.502, F.S.
15. Statutory (Opening) Bid; Total of Lines 12 thru 14
16. Redemption Fee
17. Total Amount to Redeem

\$977.01
\$0.00
\$150.00
\$75.00
\$1,202.01
\$1,202.01
\$45,289.00
\$6.25

\*Done this 26th day of April, 2012

TAX COLLECTOR, ESCAMBIA COUNTY, FLORIDA

By *Glenda Maluro*

Date of Sale: *January 7, 2013*

\* This certification must be surrendered to the Clerk of the Circuit Court no later than ten days after this date.

**ERNIE LEE MAGAHA**  
CLERK OF THE CIRCUIT COURT



**BRANCH OFFICES**  
ARCHIVES AND RECORDS  
JUVENILE DIVISION

CENTURY

ARCHIVES AND RECORDS  
CHILD SUPPORT  
CIRCUIT CIVIL  
CIRCUIT CRIMINAL  
COUNTY CIVIL  
COUNTY CRIMINAL  
DOMESTIC RELATIONS  
FAMILY LAW  
JURY ASSEMBLY  
JUVENILE  
MENTAL HEALTH  
MIS  
OPERATIONAL SERVICES  
PROBATE  
TRAFFIC

**COUNTY OF ESCAMBIA  
OFFICE OF THE  
CLERK OF THE CIRCUIT COURT**

CLERK TO THE BOARD OF  
COUNTY COMMISSIONERS

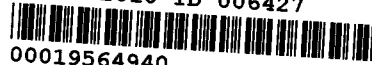
OFFICIAL RECORDS  
COUNTY TREASURY  
AUDITOR

## IMAGING COVER PAGE

This cover page is not a part of the original documents but is necessary to avoid obscuring any information on the original documents

---

Case: 2010 TD 006427



00019564940

Dkt: TD83 Pg#:

3

---

**Original Documents Follow**

85139376.00/D453F/11/6/03/CID#6011004480549456/6011004480549456

IN THE COUNTY COURT IN THE 1ST JUDICIAL  
CIRCUIT IN AND FOR ESCAMBIA COUNTY, FLORIDA

RCD Dec 16, 2003 10:13 am  
Escambia County, Florida

**DISCOVER BANK**  
Plaintiff,

vs.

CASE NUMBER: 2003-CC-5138

**BETTY J. LYNCH**  
Defendant(s).

ERNIE LEE MAGAHA  
Clerk of the Circuit Court  
INSTRUMENT 2003-184368

**DEFAULT FINAL JUDGMENT**

THIS ACTION, was heard after entry of default against the Defendant(s) and; IT IS HEREBY ORDERED AND ADJUDGED, that the Plaintiff, **DISCOVER BANK**, hereby recovers from the Defendant(s), **BETTY J. LYNCH**, the principal sum of \$6255.96, with court costs in the sum of \$118.50, and attorney's fees in the amount of \$ 500.00, and pre-judgment interest in the amount of \$517.79 all which shall bear interest at the rate of 6 percent % per year until paid in full as provided by Florida Statute 55.03, for all of which let execution issue.

DONE AND ORDERED, in Chambers, Pensacola, ESCAMBIA County, Florida, this 11<sup>th</sup> day of

December, 2003.

  
\_\_\_\_\_  
COUNTY COURT JUDGE

Conformed Copies to:

- To: The Plaintiff at: 3311 MILL MEADOW DRIVE, HILLARD, OH 43026
- To: Law Offices of Stanley B. Erskine (Fla Bar ID# 264547)  
& Andrew D. Fleisher (Fla Bar ID# 260355) Attorney for Plaintiff  
55 Weston Road, Suite 300, Fort Lauderdale, Florida 33326 (954)384-1490
- To: The Defendant at 6526 COLONADE CIR, PENSACOLA, FL 32506-3914

I hereby certify that a copy of the above judgment was mailed to each of the above parties on the above date:

By: \_\_\_\_\_  
Court Assistant or Deputy Court Clerk

ERNIE LEE MAGAHA  
CLERK OF CIRCUIT COURT  
ESCAMBIA COUNTY, FL  
2003 DEC 11 A 11:41  
COUNTY CIVIL DIVISION  
FILED & RECORDED



# SOUTHERN GUARANTY TITLE COMPANY

4400 BAYOU BLVD., SUITE 13-B, CORDOVA SQUARE

PENSACOLA, FLORIDA 32503

TEL. (850) 478-8121 FAX (850) 476-1437

Email: rcsgr@aol.com

Janet Holley  
Escambia County Tax Collector  
P.O. Box 1312  
Pensacola, FL 32596

CERTIFICATION: TITLE SEARCH FOR TDA

TAX DEED SALE DATE: 1-7-2013

TAX ACCOUNT NO.: 09-3261-160

CERTIFICATE NO.: 2010-6427

In compliance with Section 197.256, Florida Statutes, the following is a list of names and addresses of those persons, firms and/or agencies having legal interest in or claim against the above described property. The above referenced tax sale certificate is being submitted as proper notification of tax deed sale.

YES NO

      X   Notify City of Pensacola, P.O. Box 12910, 32521

      X   Notify Escambia County, 190 Governmental Center, 32502

  X       Homestead for 2011 tax year.

Betty J. Lynch  
Daniel William Lynch, if alive  
6526 Colonade Circle  
Pensacola, FL 32506

Discover Bank  
3311 Mill Meadow Dr.  
Hillard, OH 43026

Certified and delivered to Escambia County Tax Collector,  
this 24th day of July, 2012.

SOUTHERN GUARANTY TITLE COMPANY

  
by: Richard S. Combs, President

NOTE: The above listed addresses are based upon current information available, but said addresses are not guaranteed to be true or correct.

**OWNERSHIP AND ENCUMBRANCE REPORT  
CONTINUATION PAGE**

File No.: 9590

July 20, 2012

UNSATISFIED MORTGAGES, LIENS AND JUDGMENTS AFFECTING THE LAND COVERED BY THIS REPORT THAT APPEAR OF RECORD:

1. Apparent Judgment filed by Discover Bank recorded in O.R. Book 5308, page 950.
2. Taxes for the year 2009 and 2011 delinquent The assessed value is \$90,578.00. Tax ID 09-3261-160.

PLEASE NOTE THE FOLLOWING:

- A. Taxes and assessments due now or in subsequent years.
- B. Subject to Easements, Restrictions and Covenants of record.
- C. Oil, gas, mineral or any other subsurface rights of any kind or nature.
- D. Encroachments, overlaps, boundary line disputes, and any other matters which would be disclosed by an accurate survey and inspection of the premises.

**OWNERSHIP AND ENCUMBRANCE REPORT  
LEGAL DESCRIPTION**

File No.: 9590

July 20, 2012

**Lot 22, Ravine Woods, as per plat thereof, recorded in Plat Book 9, Page 10, O.R. Book 1038, page 904,, of the Public Records of Escambia County, Florida**



# Southern Guaranty Title Company

4400 Bayou Boulevard, Suite 13B

Pensacola, Florida 32503

Telephone: 850-478-8121

Facsimile: 850-476-1437

## OWNERSHIP AND ENCUMBRANCE REPORT

File No.: 9590

July 20, 2012

Escambia County Tax Collector  
P.O. Box 1312  
Pensacola, Florida 32569

Pursuant to your request, the Company has caused a search to be made of the Public Records of Escambia County, Florida, solely as revealed by records maintained from 07-20-1992, through 07-20-2012, and said search reveals the following:

1. THE GRANTEE(S) OF THE LAST DEED(S) OF RECORD IS:

Betty J. Lynch and Daniel William Lynch, if alive

2. The land covered by this Report is:

LEGAL DESCRIPTION IS ATTACHED HERETO AND MADE A PART HEREOF

3. The following unsatisfied mortgages, liens and judgments affecting the land covered by this Report appear of record:

SEE CONTINUATION PAGE ATTACHED HERETO AND MADE A PART HEREOF

4. Taxes:

SEE CONTINUATION PAGE ATTACHED HERETO AND MADE A PART HEREOF

The foregoing report is prepared and furnished for information only, is not intended to constitute or imply any opinion, warranty, guaranty, insurance, or similar assurance as to the status of title, and no determination has been made of the authenticity of any instrument described or referred to herein. The name search for the purposes of determining applicable judgments and liens is limited to the apparent record owner(s) shown herein. No attempt has been made to determine whether the land is subject to liens or assessments which are not shown as existing liens by the public records. The Company's liability hereunder shall not exceed the cost of this Report, or \$1,000.00 whichever is less.

THIS REPORT SHALL NOT BE USED FOR THE ISSUANCE OF TITLE INSURANCE.

Southern Guaranty Title Company

By: 

July 20, 2012

**ERNIE LEE MAGAHA**  
CLERK OF THE CIRCUIT COURT



BRANCH OFFICES  
ARCHIVES AND RECORDS  
JUVENILE DIVISION

CENTURY

ARCHIVES AND RECORDS  
CHILD SUPPORT  
CIRCUIT CIVIL  
CIRCUIT CRIMINAL  
COUNTY CIVIL  
COUNTY CRIMINAL  
DOMESTIC RELATIONS  
FAMILY LAW  
JURY ASSEMBLY  
JUVENILE  
MENTAL HEALTH  
MIS  
OPERATIONAL SERVICES  
PROBATE  
TRAFFIC

**COUNTY OF ESCAMBIA  
OFFICE OF THE  
CLERK OF THE CIRCUIT COURT**

CLERK TO THE BOARD OF  
COUNTY COMMISSIONERS

OFFICIAL RECORDS  
COUNTY TREASURY  
AUDITOR

## IMAGING COVER PAGE

This cover page is not a part of the original documents but is  
necessary to avoid obscuring any information on  
the original documents

---

Case: 2010 TD 006427



00001984271

Dkt: TD82 Pg#:

---

7

**Original Documents Follow**

**Buildings**

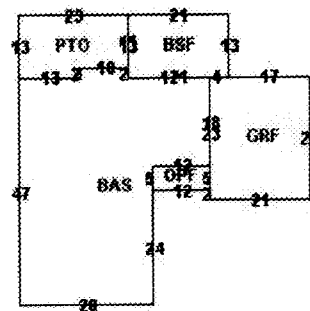
Building 1 - Address: 6526 COLONADE CIR, Year Built: 1976, Effective Year: 1976

**Structural Elements**

**FOUNDATION - SLAB ON GRADE**  
**EXTERIOR WALL - BRICK-FACE**  
**NO. PLUMBING FIXTURES - 6.00**  
**DWELLING UNITS - 1.00**  
**ROOF FRAMING - HIP**  
**ROOF COVER - COMPOSITION SHG**  
**INTERIOR WALL - DRYWALL-PLASTER**  
**FLOOR COVER - CARPET**  
**NO. STORIES - 1.00**  
**DECOR/MILLWORK - AVERAGE**  
**HEAT/AIR - CENTRAL H/AC**  
**STRUCTURAL FRAME - WOOD FRAME**

Areas - 2962 Total SF

**BASE AREA - 1552**  
**BASE SEMI FIN - 546**  
**GARAGE FIN - 525**  
**OPEN PORCH FIN - 60**  
**PATIO - 279**



**Images**

None

The primary use of the assessment data is for the preparation of the current year tax roll. No responsibility or liability is assumed for inaccuracies or errors.



# Chris Jones Escambia County Property Appraiser

[Real Estate Search](#) | [Tangible Property Search](#) | [Amendment 1 Calculations](#)

[Back](#)

[Navigate Mode](#)  [Account](#)  
 [Reference](#)

[Printer Friendly Version](#)

General Information	
<b>Reference:</b>	1125311500000022
<b>Account:</b>	093261160
<b>Owners:</b>	LYNCH BETTY J
<b>Mail:</b>	6526 COLONADE CIR PENSACOLA, FL 32506
<b>Situs:</b>	6526 COLONADE CIR 32506
<b>Use Code:</b>	SINGLE FAMILY RESID <input checked="" type="checkbox"/>
<b>Taxing Authority:</b>	COUNTY MSTU
<b>Tax Inquiry:</b>	<a href="#">Open Tax Inquiry Window</a>
Tax Inquiry link courtesy of Janet Holley, Escambia County Tax Collector	

2011 Certified Roll Assessment	
<b>Improvements:</b>	\$83,352
<b>Land:</b>	\$18,905
<b>Total:</b>	\$102,257
<b>Save Our Homes:</b>	\$90,578

[Disclaimer](#)

[Amendment 1 Calculations](#)

Sales Data					
Sale Date	Book	Page	Value	Type	Official Records (New Window)
01/1976	1038	904	\$38,700	WD	<a href="#">View Instr</a>
01/1975	933	83	\$9,000	WD	<a href="#">View Instr</a>
01/1974	798	316	\$15,000	WD	<a href="#">View Instr</a>

Official Records Inquiry courtesy of Ernie Lee Magaha,  
Escambia County Clerk of the Court

2011 Certified Roll Exemptions
HOMESTEAD EXEMPTION, SENIOR EXEMPTION, WIDOW

Legal Description
LT 22 RAVINE WOODS PB 9 P 10 OR 1038 P 904

Extra Features
POOL

**Parcel Information** [Restore Map](#) [Get Map Image](#) [Launch Interactive Map](#)

**Section Map Id:**  
11-2S-31-1

**Approx. Acreage:**  
0.3300

**Zoned:**   
R-2

Ernie Lee Magaha,  
Clerk of the Circuit Court of Escambia County Florida

Receipt Type Case Outstanding Amount 0.00  
Receipt Number 1415813 Receipt Date 05/24/2012

Case Number 2010 TD 006427  
Description WELLS FARGO BANK OBO TAX LIENS VS

Action TAX DEED APPLICATION

Judge

Received From WELLS FARGO BNAK OBO TAX LIENS

On Behalf Of WELLS FARGO BANK OBO TAX LIENS

Total Received	401.00
Net Received	401.00
Change	0.00

Receipt Payments	Amount	Reference Description
Cash	401.00	ONCORE TRANS#938256

Receipt Applications	Amount
Holding	341.00
Service Charge	60.00

Deputy Clerk: mavila Transaction Date 05/24/2012 14:48:59

Comments



**ERNIE LEE MAGAHA**  
 Clerk of the Circuit Court  
 Escambia County, FL  
 P.O. Box 333  
 Pensacola, FL 32591  
 850-595-3930



**Print Date:**  
 5/24/2012 2:48:09 PM

Transaction #: **938256**  
 Receipt #: **201231723**  
 Cashier Date: **5/24/2012 2:48:09 PM (MAVILA)**

Customer Information	Transaction Information	Payment Summary
(TXD) TAX DEED DIVISION CLERK OF THE CIRCUIT COURT 221 PALAFOX PLACE Pensacola, FL 32502	Date Received: 05/24/2012 Source Code: Over the Counter Q Code: Return Code: Government Trans Type: Recording Agent Ref Num:	Total Fees \$401.00 Total Payments \$401.00

**1 Payments**

CLERK	\$401.00
-------	----------

**0 Recorded Items**

**0 Search Items**

**1 Miscellaneous Items**

(MISC FEE) MISCELLANEOUS FEES TAX CERT#06427 OF 2010		
TAXCR	341	\$341.00
TAXCT	1	\$60.00

**ERNIE LEE MAGAHA**  
 CLERK OF THE CIRCUIT COURT  
 ARCHIVES AND RECORDS  
 CHILDSUPPORT  
 CIRCUIT CIVIL  
 CIRCUIT CRIMINAL  
 COUNTY CIVIL  
 COUNTY CRIMINAL  
 DOMESTIC RELATIONS  
 FAMILY LAW  
 JURY ASSEMBLY  
 JUVENILE  
 MENTAL HEALTH  
 MIS  
 OPERATIONAL SERVICES  
 PROBATE  
 TRAFFIC



**BRANCH OFFICES**  
**ARCHIVES AND RECORDS**  
**JUVENILE DIVISION**  
**CENTURY**

CLERK TO THE BOARD OF  
 COUNTY COMMISSIONERS  
 OFFICIAL RECORDS  
 COUNTY TREASURY  
 AUDITOR

**COUNTY OF ESCAMBIA**  
**OFFICE OF THE**  
**CLERK OF THE CIRCUIT COURT**

**Case # 2010 TD 006427**

**Redeemed Date 11/02/2012**

**Name RONALD LYNCH 6526 COLONADE CIR PENSACOLA, FL 32506**

Clerk's Total = TAXDEED	\$455.14
Due Tax Collector = TAXDEED	\$1,370.53
Postage = TD2	\$18.00
ResearcherCopies = TD6	\$5.00

**Apply Docket Codes**

**• For Office Use Only**

Date	Docket	Desc	Amount Owed	Amount Due	Payee Name
06/01/2010	TAXDEED	TAX DEED CERTIFICATES Receipt: 1415813 Date: 05/24/2012	341.00	0.00	
06/01/2010	TD1	TAX DEED APPLICATION Receipt: 1415813 Date: 05/24/2012	60.00	0.00	
06/06/2012	TD83	TAX COLLECTOR CERTIFICATION	0.00	0.00	
10/15/2012	TD82	O & E REPORT	0.00	0.00	
11/02/2012	TD2	POSTAGE TAX DEEDS	18.00	18.00	
11/02/2012	TD6	TITLE RESEARCHER COPY CHARGES	5.00	5.00	
11/02/2012	TAXDEED	TAXDEED Due Tax Collector	1,370.53	1,370.53	
11/02/2012	TAXDEED	TAXDEED Clerk's Total	455.14	455.14	

**FINANCIAL SUMMARY**

Recd	Docket Application	Owed	Paid	Dismissed	Due
1	Service Charge	\$83.00	\$60.00	\$0.00	\$23.00
2	Holding	\$2,166.67	\$341.00	\$0.00	\$1,825.67
	<b>TOTAL</b>	<b>\$2,249.67</b>	<b>\$401.00</b>	<b>\$0.00</b>	<b>\$1,848.67</b>

**ERNIE LEE MAGAHA**  
CLERK OF THE CIRCUIT COURT  
ARCHIVES AND RECORDS  
CHILDSUPPORT  
CIRCUIT CIVIL  
CIRCUIT CRIMINAL  
COUNTY CIVIL  
COUNTY CRIMINAL  
DOMESTIC RELATIONS  
FAMILY LAW  
JURY ASSEMBLY  
JUVENILE  
MENTAL HEALTH  
MIS  
OPERATIONAL SERVICES  
PROBATE  
TRAFFIC



**BRANCH OFFICES**  
**ARCHIVES AND RECORDS**  
**JUVENILE DIVISION**  
**CENTURY**

CLERK TO THE BOARD OF  
COUNTY COMMISSIONERS  
OFFICIAL RECORDS  
COUNTY TREASURY  
AUDITOR

**COUNTY OF ESCAMBIA**  
**OFFICE OF THE**  
**CLERK OF THE CIRCUIT COURT**

**ERNIE LEE MAGAHA, CLERK OF THE CIRCUIT COURT**  
**Tax Certificate Redeemed From Sale**  
**Account: 093261160 Certificate Number: 006427 of 2010**

**Payor: RONALD LYNCH 6526 COLONADE CIR PENSACOLA, FL 32506**      **Date 11/02/2012**

Clerk's Check #	1	Clerk's Total	\$455.14
Tax Collector Check #	1	Tax Collector's Total	\$1,370.53
		Postage	\$18.00
		Researcher Copies	\$5.00
		Total Received	\$1,848.67

**ERNIE LEE MAGAHA**  
Clerk of the Circuit Court

Received By: \_\_\_\_\_  
Deputy Clerk



Ernie Lee Magaha,  
Clerk of the Circuit Court of Escambia County Florida

Receipt Type Case Outstanding Amount 0.00  
Receipt Number 1468335 Receipt Date 11/02/2012

Case Number 2010 TD 006427

Description WELLS FARGO BANK OBO TAX LIENS VS

Action TAX DEED REDEMPTION

Judge

Received From RONALD LYNCH

On Behalf Of WELLS FARGO BANK OBO TAX LIENS

Total Received	1,848.67
Net Received	1,848.67
Change	0.00

Receipt Payments	Amount	Reference Description
Cash	1,848.67	CASH

Receipt Applications	Amount
Holding	1,825.67
Service Charge	23.00

Deputy Clerk: mavila Transaction Date 11/02/2012 11:55:10

Comments



**ERNIE LEE MAGAHA**  
**CLERK OF THE CIRCUIT COURT**  
**ESCAMBIA COUNTY, FLORIDA**

**Tax Deed - Redemption Calculator**  
**Account: 093261160 Certificate Number: 006427 of 2010**

Redemption  Yes   
 Application Date    
 Interest Rate

	Final Redemption Payment ESTIMATED	Redemption Overpayment ACTUAL
	Auction Date <input type="text" value="01/07/2013"/>	Redemption Date <input type="text" value="11/02/2012"/> <input checked="" type="checkbox"/>
Months	9	7
Tax Collector	<input type="text" value="\$1,202.01"/>	<input type="text" value="\$1,202.01"/>
Tax Collector Interest	\$162.27	\$126.21
Tax Collector Fee	<input type="text" value="\$6.25"/>	<input type="text" value="\$6.25"/>
<b>Total Tax Collector</b>	<b>\$1,370.53</b>	<b>\$1,334.47</b>
Clerk Fee	<input type="text" value="\$60.00"/>	<input type="text" value="\$60.00"/>
Sheriff Fee	<input type="text" value="\$120.00"/>	<input type="text" value="\$120.00"/>
Legal Advertisement	<input type="text" value="\$221.00"/>	<input type="text" value="\$221.00"/>
App. Fee Interest	\$54.14	\$42.11
<b>Total Clerk</b>	<b>\$455.14</b>	<b>\$443.11</b>
Postage	<input type="text" value="\$18.00"/>	<input type="text" value="\$18.00"/>
Researcher Copies	<input type="text" value="\$5.00"/>	<input type="text" value="\$5.00"/>
<b>Total Redemption Amount</b>	<b>\$1,848.67</b>	<b>\$1,800.58</b>
	Repayment Overpayment Refund Amount	<input type="text" value="\$48.09 + 120 + 221 = 389.09"/>

Notes

THIS DOCUMENT PRINTED ON RECYCLED PAPER

**ERNIE LEE MAGAHA**  
CLERK OF THE COURT & COMPTROLLER  
P.O. BOX 333  
PENSACOLA, FL 32591-0333  
(850) 595-4140  
REGISTRY ACCOUNT

Bank of America  
PENSACOLA, FL 32504  
VOID AFTER 6 MONTHS

63-27  
631

9000016755

PAY

\*THREE HUNDRED EIGHTY NINE AND 09/100

RONALD LYNCH

TO THE ORDER OF RONALD LYNCH  
6526 COLONADE CIRCLE  
PENSACOLA, FL 32506

DATE 11/06/2012  
AMOUNT 389.09

*Ernie Lee Magaha*  
ERNIE LEE MAGAHA, CLERK OF THE COURT



⑈9000016755⑈ ⑆063100277⑆ 898033991356⑈

**ERNIE LEE MAGAHA**  
CLERK OF THE COURT & COMPTROLLER

9000016755

Date	Case Number	Description	Amount
11/06/2012	2010 TD 006427	PAYMENT TAX DEEDS	389.09

Check: 9000016755 11/06/2012 RONALD LYNCH

Check Amount: 389.09

9000016755

**ERNIE LEE MAGAHA**  
 CLERK OF THE COURT & COMPTROLLER  
 P.O. BOX 333  
 PENSACOLA, FL 32591-0333  
 (850) 595-4140  
 REGISTRY ACCOUNT

Bank of America  
 PENSACOLA, FLORIDA  
 VOID AFTER 6 MONTHS

9000016765

63-27  
 631

PAY \*TWENTY NINE THOUSAND THREE HUNDRED SIXTY SEVEN AND 52/100

WELLS FARGO BANK OBO TAX LIENS  
 SECURITIZATION TRUST

TO THE ORDER OF WELLS FARGO BANK OBO TAX LIENS SECURITIZATI  
 P O BOX 741307  
 ATLANTA, GA 30384

DATE AMOUNT  
 11/06/2012 29,367.52

*Ernie Lee Magaha*

ERNIE LEE MAGAHA, CLERK OF THE COURT



⑈9000016765⑈ ⑆063100277⑆ 898033991356⑈

**ERNIE LEE MAGAHA**  
 CLERK OF THE COURT & COMPTROLLER

9000016765

Date	Case Number	Description	Amount
11/06/2012	2010 TD 000609	PAYMENT TAX DEEDS	9,682.21
11/06/2012	2010 TD 009699	PAYMENT TAX DEEDS	437.09
11/06/2012	2010 TD 002870	PAYMENT TAX DEEDS	443.11
11/06/2012	2010 TD 000016	PAYMENT TAX DEEDS	443.11
11/06/2012	2010 TD 005873	PAYMENT TAX DEEDS	443.11
11/06/2012	2010 TD 001745	PAYMENT TAX DEEDS	443.11
11/06/2012	2010 TD 005962	PAYMENT TAX DEEDS	443.11
11/06/2012	2010 TD 006427	PAYMENT TAX DEEDS	443.11
11/06/2012	2010 TD 002306	PAYMENT TAX DEEDS	437.09
11/06/2012	2010 TD 008367	PAYMENT TAX DEEDS	443.11

There are additional check details for this check that total: 15,709.00 **9000016765**

Check: 9000016765 11/06/2012 WELLS FARGO BANK OBO TAX LIENS SECURITIZATION TRUST Check Amount: 29,367.52

2010 TD 07686 4,421.09  
 2010 TD 05988 437.09  
 2010 TD 02303 9,816.90  
 2010 TD 07301 503.88  
 2010 TD 02231 530.40

**ERNIE LEE MAGAHA**  
 CLERK OF THE COURT & COMPTROLLER  
 P.O. BOX 333  
 PENSACOLA, FL 32591-0333  
 (850) 595-4140  
 REGISTRY ACCOUNT

Bank of America  
 PENSACOLA, FLORIDA  
 VOID AFTER 6 MONTHS

9000016740

63-27  
 631

PAY \*ONE HUNDRED SEVENTEEN THOUSAND NINETY FIVE AND 30/100  
 JANET HOLLEY TAX COLLECTOR

TO THE ORDER OF JANET HOLLEY TAX COLLECTOR  
 213 PALAFOX PLACE  
 PENSACOLA, FL 32502

DATE AMOUNT  
 11/06/2012 117,095.30

*Ernie Lee Magaha*

ERNIE LEE MAGAHA, CLERK OF THE COURT



⑈9000016740⑈ ⑆063100277⑆ 898033991356⑈

**ERNIE LEE MAGAHA**  
 CLERK OF THE COURT & COMPTROLLER

9000016740

Date	Case Number	Description	Amount
11/06/2012	2008 TD 006466	PAYMENT TAX DEEDS	6.25
11/06/2012	2010 TD 003584	PAYMENT TAX DEEDS	1,191.31
11/06/2012	2010 TD 006427	PAYMENT TAX DEEDS	1,334.47
11/06/2012	2010 TD 002231	PAYMENT TAX DEEDS	13,179.46
11/06/2012	2010 TD 007686	PAYMENT TAX DEEDS	6.25
11/06/2012	2010 TD 007301	PAYMENT TAX DEEDS	7,096.83
11/06/2012	2010 TD 009699	PAYMENT TAX DEEDS	4,616.98
11/06/2012	2010 TD 001745	PAYMENT TAX DEEDS	6,022.14
11/06/2012	2010 TD 004512	PAYMENT TAX DEEDS	4,252.00
11/06/2012	2010 TD 005962	PAYMENT TAX DEEDS	6,577.75

There are additional check details for this check that total:

72,811.86  
 9000016740

Check: 9000016740 11/06/2012 JANET HOLLEY TAX COLLECTOR Check Amount: 117,095.30

2009 TD 08108 6.25  
 2010 TD 02870 6570.93  
 2010 TD 00016 11,468.11-  
 2010 TD 02363 6.25  
 2010 TD 03923 3,904.07  
 2010 TD 02761 2,808.92  
 2010 TD 00609 6.25  
 2010 TD 01206 25.00  
 2010 TD 02306 9824.68  
 2010 TD 05988 7,138.41

*CL 11/6/12*